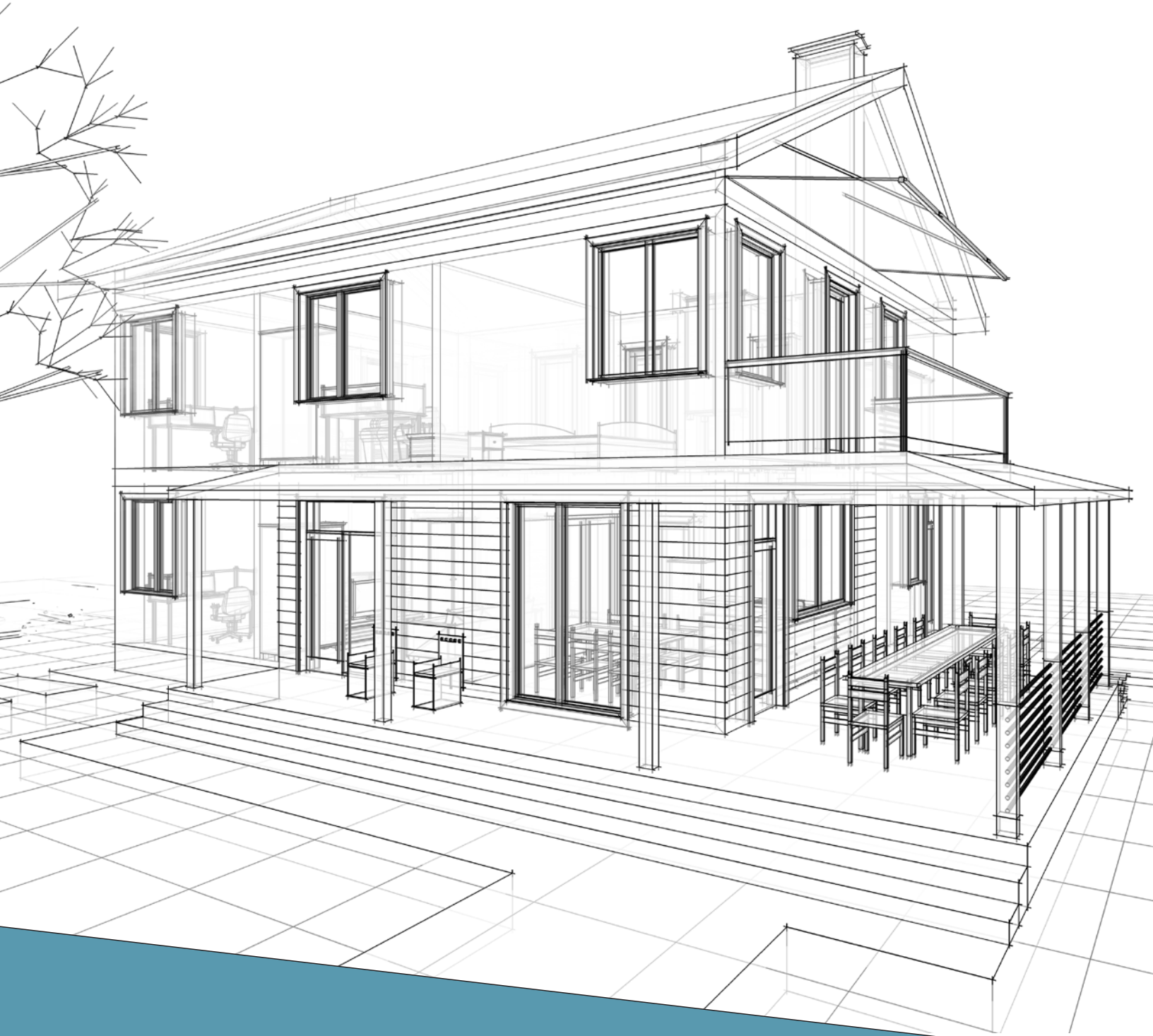


DIAMOND KOTE[®]

Building Products



PRODUCT GUIDE 2020

SIDING DESIGNED WITH THE INSTALLER IN MIND

diamondkotesiding.com



TABLE OF CONTENTS

PRODUCT COMMON DESCRIPTION FOR:

SIDING

- 6 in. Lap Siding - 3/8 in.....04
- 8 in. Lap Siding - 3/8 in.....04
- 6 in. RigidStack™ Siding.....06
- 8 in. RigidStack™ Siding.....06
- 12 in. RigidStack™ Siding.....06
- 12 in. Vertical Siding08
- 16 in. Vertical Siding08
- 3 in. Batten Trim08
- 4x8 No Groove Panel - 3/8 in.10
- 4x9 No Groove Panel - 3/8 in.10
- 4x10 No Groove Panel - 3/8 in.10
- 4x8 8 in. OC Grooved Panel - 3/8 in.....12
- 4x9 8 in. OC Grooved Panel - 3/8 in.....12
- 4x10 8 in. OC Grooved Panel - 3/8 in.....12
- 4x8 8 in. OC Grooved Panel - 7/16 in.14
- 4x9 8 in. OC Grooved Panel - 7/16 in.14
- 4x10 8 in. OC Grooved Panel - 7/16 in.14
- 4x8 4 in. OC Grooved Panel - 7/16 in.16
- 4x9 4 in. OC Grooved Panel - 7/16 in.16
- 4x10 4 in. OC Grooved Panel - 7/16 in.16
- 7 in. RigidShake™ Staggered Edge.....18
- 7 in. RigidShake™ Straight Edge.....18
- 9 in. RigidShake™ Staggered Edge.....20
- 9 in. RigidShake™ Straight Edge.....20
- 12 in. RigidShake™ Staggered Edge22
- 12 in. RigidShake™ Straight Edge.....22
- 12 in. Scallop - Historic Collection24
- 12 in. Octagon - Historic Collection24

CORNERS

- 4 in. Nail Fin Outside Corner - 10 ft26
- 6 in. Nail Fin Outside Corner - 10 ft26
- 4 in. Nail Fin Outside Corner - 16 ft28
- 6 in. Nail Fin Outside Corner - 16 ft.....28
- 3 in. Nail Fin Inside Corner28

TRIM

- 4 in. Nail Fin Trim.....30
- 6 in. Nail Fin Trim.....30
- Trim Clip30
- 5/4x2 in. Smart Trim32
- 5/4x3 in. Smart Trim32
- 5/4x4 in. Smart Trim32

PRODUCT COMMON DESCRIPTION FOR:

5/4x6 in. Smart Trim	34
5/4x8 in. Smart Trim	34
5/4x10 in. Smart Trim	34
5/4x12 in. Smart Trim	36
4/4x2 in. Smart Trim	36
4/4x4 in. Smart Trim	38
4/4x6 in. Smart Trim	38
4/4x8 in. Smart Trim	38
4/4x10 in. Smart Trim	40
4/4x12 in. Smart Trim	40
4 in. Arch Trim	42
6 in. Arch Trim	42
4 in. Keystone	44
6 in. Keystone	44

TRIM ACCENTS

4x4 Pro-Post Wrap™	46
4x6 Pro-Post Wrap™	46
6x6 Pro-Post Wrap™	46

SOFFIT

6 in. Plowed Fascia	48
8 in. Plowed Fascia	48
4x8 No Groove Soffit	50
10 ft. Soffit Channel	50
12 in. Soffit Vented	52
16 in. Soffit Vented	52
24 in. Soffit Vented	52
12 in. Soffit Solid	54
16 in. Soffit Solid	54
24 in. Soffit Solid	54

FLASHING

DIVERTER FLASHING	56
Drip Cap	56
Spacer Flashing	56
Brick Ledge Flashing	58
Z-Flash	58
J-Channel	60
Trim Coil	60

SIDING ACCESSORIES

Universal RigidMount™	62
Blank Universal RigidMount™	62
UL Electrical RigidMount™	64
Receptacle RigidMount™	64
Oversized RigidMount™	66
Split RigidMount™	66
Personalized RigidMount™	68
Blank Horizontal RigidMount™	68
5 in. H-Molding	70
7 in. H-Molding	70
11 in. H-Molding	70
Metal Starter Strip	72
8 in. Starter Board	72

FASTENERS

1-3/4 IN. RING SHANK HAND DRIVE	74
2-1/2 in. Painted Nails	74
Cortex Screws & Plugs for PVC	74

6 IN. LAP SIDING - 3/8 IN.

Function: Textured Lap Siding

Part Description: 3/8X6 Precision Series Lap

ACTUAL DIMENSIONS

Exposure: Variable
Overlap:
Min 1 in. - Max 2 in.
Pieces per square:
15.38 pc (1 in. Over Lap)
Length: 16 ft.
Width: 5.84 in.
Height: N/A
Min. Thickness: 0.315 in.

CONSTRUCTION

Substrate: Strand
LP® SmartSide®
Finish: Diamond Kote®

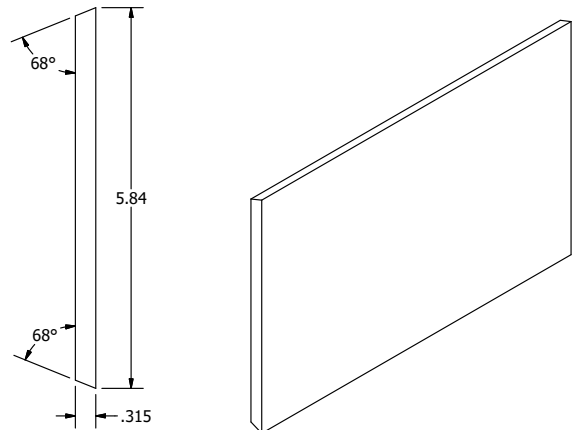
WEIGHT

Per Piece: 11.31 lbs.
Per Bundle: 45.24 lbs.
Per Pallet: 1900 lbs.

PACKAGING

Per Bundle: 4
Per Pallet: 168

DRAWINGS SHOW ACTUAL DIMENSIONS



8 IN. LAP SIDING - 3/8 IN.

Function: Textured Lap Siding

Part Description: 3/8X8 Precision Series Lap

ACTUAL DIMENSIONS

Exposure: Variable
Overlap:
Min 1 in. - Max 2 in.
Pieces per square:
10.90 pc (1 in. Over Lap)
Length: 16 ft.
Width: 7.84 in.
Height: N/A
Min. Thickness: 0.315 in.

CONSTRUCTION

Substrate: Strand
LP® SmartSide®
Finish: Diamond Kote®
Other: N/A

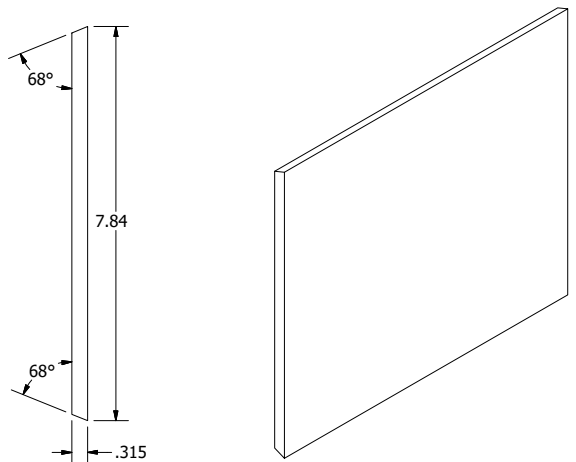
WEIGHT

Per Piece: 14.21 lbs.
Per Bundle: 56.84 lbs.
Per Pallet: 1989 lbs.

PACKAGING

Per Bundle: 4
Per Pallet: 140

DRAWINGS SHOW ACTUAL DIMENSIONS



COLOR AVAILABILITY CHART
PRODUCTS: LAP SIDING 3/8 INCH

SOLID COLORS	6 IN	8 IN
WHITE		
BISCUIT		
SAND		
OYSTER SHELL		
LIGHT GRAY		
CLAY		
PEWTER GREEN		
FRENCH GRAY		
PLATINUM		
TERRA BRONZE		
SEAL		
OLIVE		
PELICAN		
SMOKY ASH		
MOUNTAIN LAKE		
CINNABAR		
COFFEE		
CARIBOU		
MIDNIGHT		
GRAPHITE		
CLOVE		
BEIGE		
ONYX		
BEDROCK		
ELKHORN		
CANYON		
MAHOGANY		
GRIZZLY		
CHESTNUT		

 NOT AVAILABLE	 PAINTED TEXTURE & SMOOTH	 PAINTED TEXTURE
---	--	---

6 IN. RIGIDSTACK™ SIDING

Function: Stackable Textured Lap Siding

Part Description: 3/8X6 RigidStack

ACTUAL DIMENSIONS

Exposure: 4.75 in.
 Overlap: 1-1/8 in.
 Pieces per square: 15.78
 Length: 16 ft.
 Width: 5.84 in.
 Height: N/A
 Min. Thickness: 0.315 in.

CONSTRUCTION

Substrate: Strand
 LP® SmartSide®
 Finish: Diamond Kote®
 Other: Plastic

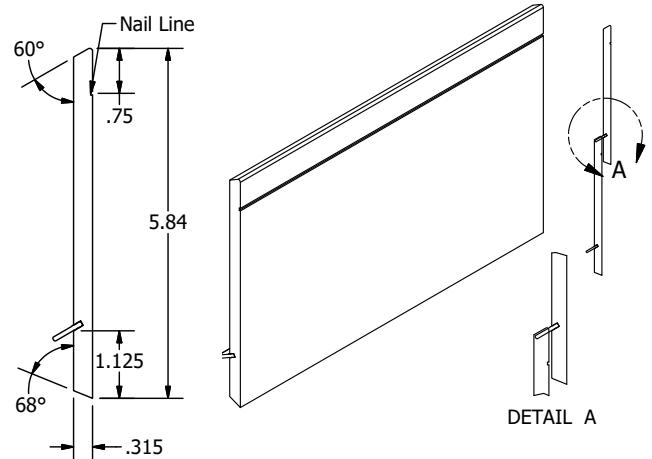
WEIGHT

Per Piece: 11.49 lbs.
 Per Bundle: 45.96 lbs.
 Per Pallet: 1930.32 lbs.

PACKAGING

Per Bundle: 4
 Per Pallet: 168

DRAWINGS SHOW ACTUAL DIMENSIONS



8 IN. RIGIDSTACK™ SIDING

Function: Stackable Textured Lap Siding

Part Description: 3/8X8 RigidStack

ACTUAL DIMENSIONS

Exposure: 6.75 in.
 Overlap: 1-1/8 in.
 Pieces per square: 11.11
 Length: 16 ft.
 Width: 7.84 in.
 Height: N/A
 Min. Thickness: 0.315 in.

CONSTRUCTION

Substrate: Strand
 LP® SmartSide®
 Finish: Diamond Kote®
 Other: Plastic

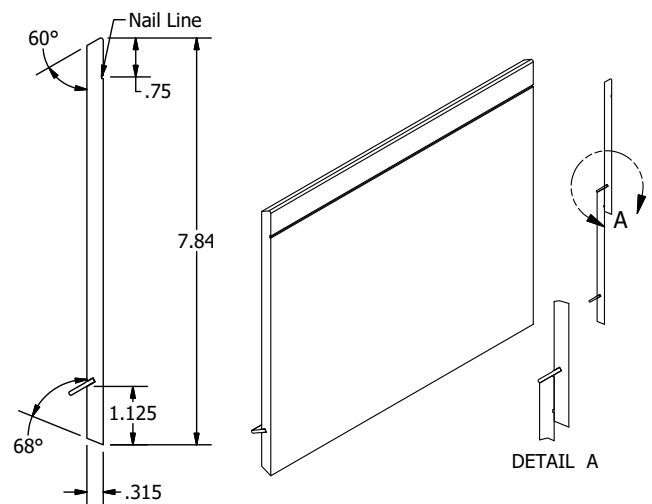
WEIGHT

Per Piece: 15.43 lbs.
 Per Bundle: 61.72 lbs.
 Per Pallet: 2160.2 lbs.

PACKAGING

Per Bundle: 4
 Per Pallet: 140

DRAWINGS SHOW ACTUAL DIMENSIONS



12 IN. RIGIDSTACK™ SIDING

Function: Stackable Textured Lap Siding

Part Description: 3/8X12 RigidStack

ACTUAL DIMENSIONS

Exposure: 10.75 in.
 Overlap: 1-1/8 in.
 Pieces per square: 6.97
 Length: 16 ft.
 Width: 11.84 in.
 Height: N/A
 Min. Thickness: 0.315 in.

CONSTRUCTION

Substrate: Strand
 LP® SmartSide®
 Finish: Diamond Kote®
 Other: Plastic

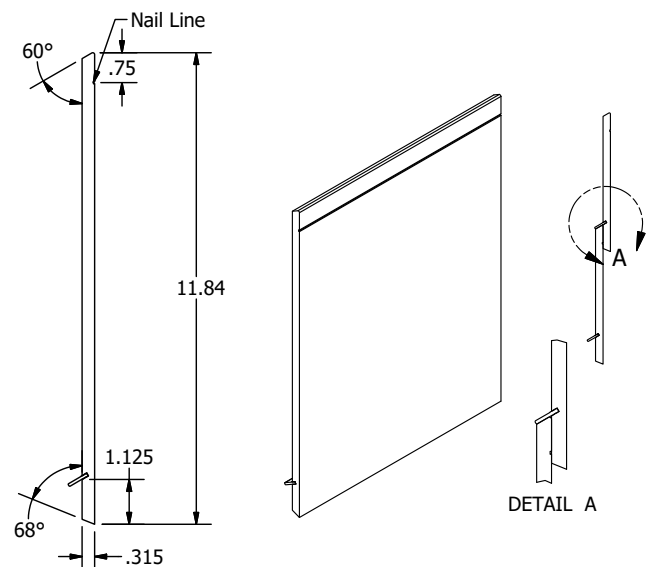
WEIGHT

Per Piece: 20.67 lbs.
 Per Bundle: 82.68 lbs.
 Per Pallet: 1736.28 lbs.

PACKAGING

Per Bundle: 4
 Per Pallet: 84

DRAWINGS SHOW ACTUAL DIMENSIONS



COLOR AVAILABILITY CHART
PRODUCTS: RIGIDSTACK™ SIDING

SOLID COLORS	6 IN	8 IN	12 IN
WHITE			
BISCUIT			
SAND			
OYSTER SHELL			
LIGHT GRAY			
CLAY			
PEWTER GREEN			
FRENCH GRAY			
PLATINUM			
TERRA BRONZE			
SEAL			
OLIVE			
PELICAN			
SMOKY ASH			
MOUNTAIN LAKE			
CINNABAR			
COFFEE			
CARIBOU			
MIDNIGHT			
GRAPHITE			
CLOVE			
BEIGE			
ONYX			
BEDROCK			
ELKHORN			
CANYON			
MAHOGANY			
GRIZZLY			
CHESTNUT			

 NOT AVAILABLE	 PAINTED TEXTURE & SMOOTH	 PAINTED TEXTURE
---	--	---

12 IN. VERTICAL SIDING

Function: Base panel for Vertical Board and Batten
 Part Description: 12 in.X16 ft. 3/8 in. Vertical Panel

ACTUAL DIMENSIONS

Exposure: 10-3/4 in.
 (Between Battens)
 Overlap: 2.5 in. Minimum
 (On Batten Trim)
 Pieces per square: 6.32
 Length: 16 ft.
 Width: 11.84 in.
 Height: N/A
 Min. Thickness: 0.315 in.

CONSTRUCTION

Substrate: Strand
 LP® SmartSide®
 Finish: Diamond Kote®
 Other: N/A

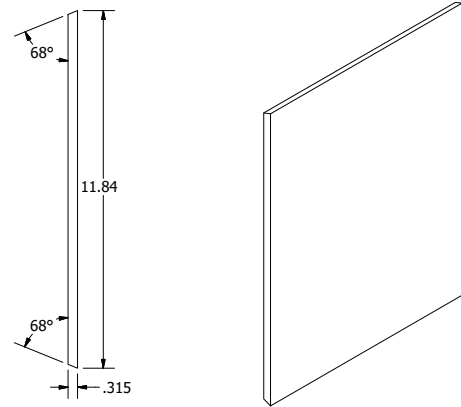
WEIGHT

Per Piece: 20.67 lbs.
 Per Bundle: 81.4 lbs.
 Per Pallet: 1736 lbs.

PACKAGING

Per Bundle: 4
 Per Pallet: 84

DRAWINGS SHOW ACTUAL DIMENSIONS



16 IN. VERTICAL SIDING

Function: Base panel for Vertical Board and Batten;
 Or Board on board installations
 Part Description: 16 in.X16 ft. 3/8 in. Vertical Panel

ACTUAL DIMENSIONS

Exposure: 13.25 in.
 (Between Battens)
 Overlap: 2.5 in. Minimum
 (On Batten Trim)
 Pieces per square: 4.68
 Length: 16 ft.
 Width: 15.94 in.
 Height: N/A
 Min. Thickness: 0.315 in.

CONSTRUCTION

Substrate: Strand
 LP® SmartSide®
 Finish: Diamond Kote®
 Other: N/A

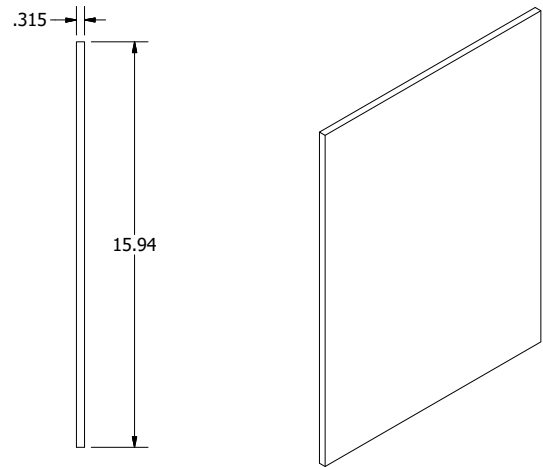
WEIGHT

Per Piece: 27.72 lbs.
 Per Bundle: 27.72 lbs.
 Per Pallet: 1830 lbs.

PACKAGING

Per Bundle: 1 Each
 Per Pallet: 66

DRAWINGS SHOW ACTUAL DIMENSIONS



3 IN. BATTEN TRIM

Function: Textured trim board used to accent any substrate
 Part Description: 19/32 in.X3X16 ft. Smart Trim Cedar

ACTUAL DIMENSIONS

Exposure: N/A
 Overlap: N/A
 Pieces per square: N/A
 Length: 16 ft.
 Width: 2.5 in.
 Height: N/A
 Min. Thickness: 0.53 in.

CONSTRUCTION

Substrate: Strand
 LP® SmartSide®
 Finish: Diamond Kote®
 Other: N/A

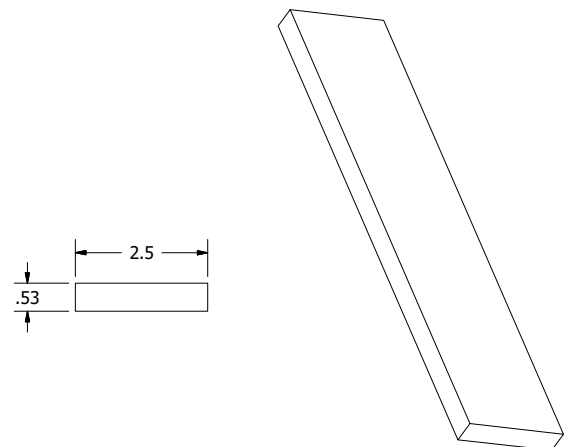
WEIGHT

Per Piece: 6.29 lbs.
 Per Bundle: 25.19 lbs.
 Per Pallet: 880.6 lbs.

PACKAGING

Per Bundle: 4
 Per Pallet: 140

DRAWINGS SHOW ACTUAL DIMENSIONS



COLOR AVAILABILITY CHART

PRODUCTS: VERTICAL SIDING & BATTEN TRIM

SOLID COLORS	VERTICAL SIDING		BATTEN TRIM
	12 IN	16 IN	3 IN
WHITE	PAINTED TEXTURE & SMOOTH	PAINTED TEXTURE	PAINTED TEXTURE
BISCUIT	PAINTED TEXTURE & SMOOTH	PAINTED TEXTURE	PAINTED TEXTURE
SAND	PAINTED TEXTURE & SMOOTH	PAINTED TEXTURE	PAINTED TEXTURE
OYSTER SHELL	PAINTED TEXTURE & SMOOTH	PAINTED TEXTURE	PAINTED TEXTURE
LIGHT GRAY	PAINTED TEXTURE & SMOOTH	PAINTED TEXTURE	PAINTED TEXTURE
CLAY	PAINTED TEXTURE & SMOOTH	PAINTED TEXTURE	PAINTED TEXTURE
PEWTER GREEN	PAINTED TEXTURE & SMOOTH	PAINTED TEXTURE	PAINTED TEXTURE
FRENCH GRAY	PAINTED TEXTURE & SMOOTH	PAINTED TEXTURE	PAINTED TEXTURE
PLATINUM	PAINTED TEXTURE & SMOOTH	PAINTED TEXTURE	PAINTED TEXTURE
TERRA BRONZE	PAINTED TEXTURE & SMOOTH	PAINTED TEXTURE	PAINTED TEXTURE
SEAL	PAINTED TEXTURE & SMOOTH	PAINTED TEXTURE	PAINTED TEXTURE
OLIVE	PAINTED TEXTURE & SMOOTH	PAINTED TEXTURE	PAINTED TEXTURE
PELICAN	PAINTED TEXTURE & SMOOTH	PAINTED TEXTURE	PAINTED TEXTURE
SMOKY ASH	PAINTED TEXTURE & SMOOTH	PAINTED TEXTURE	PAINTED TEXTURE
MOUNTAIN LAKE	PAINTED TEXTURE & SMOOTH	PAINTED TEXTURE	PAINTED TEXTURE
CINNABAR	PAINTED TEXTURE & SMOOTH	PAINTED TEXTURE	PAINTED TEXTURE
COFFEE	PAINTED TEXTURE & SMOOTH	PAINTED TEXTURE	PAINTED TEXTURE
CARIBOU	PAINTED TEXTURE & SMOOTH	PAINTED TEXTURE	PAINTED TEXTURE
MIDNIGHT	PAINTED TEXTURE & SMOOTH	PAINTED TEXTURE	PAINTED TEXTURE
GRAPHITE	PAINTED TEXTURE & SMOOTH	PAINTED TEXTURE	PAINTED TEXTURE
CLOVE	PAINTED TEXTURE & SMOOTH	PAINTED TEXTURE	PAINTED TEXTURE
BEIGE	PAINTED TEXTURE & SMOOTH	PAINTED TEXTURE	PAINTED TEXTURE
ONYX	PAINTED TEXTURE & SMOOTH	PAINTED TEXTURE	PAINTED TEXTURE
BEDROCK	NOT AVAILABLE	PAINTED TEXTURE	PAINTED TEXTURE
ELKHORN	NOT AVAILABLE	PAINTED TEXTURE	PAINTED TEXTURE
CANYON	NOT AVAILABLE	PAINTED TEXTURE	PAINTED TEXTURE
MAHOGANY	NOT AVAILABLE	PAINTED TEXTURE	PAINTED TEXTURE
GRIZZLY	NOT AVAILABLE	PAINTED TEXTURE	PAINTED TEXTURE
CHESTNUT	NOT AVAILABLE	PAINTED TEXTURE	PAINTED TEXTURE

 NOT AVAILABLE	 PAINTED TEXTURE & SMOOTH	 PAINTED TEXTURE
---	--	---

4X8 NO GROOVE PANEL - 3/8 IN.

DRAWINGS SHOW ACTUAL DIMENSIONS

Function: Board & Patten Panel; Exterior Siding; Interior Accent Panel

Part Description: 4x8 3/8 in. NGSL Cedar Panel

ACTUAL DIMENSIONS

Exposure: 48 in.
 Overlap: 0.563 in.
 Pieces per square: 3.125
 Length: 96 in.
 Width: 48.563 in.
 Height: N/A
 Min. Thickness: 0.315 in.

CONSTRUCTION

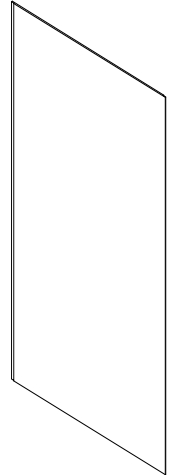
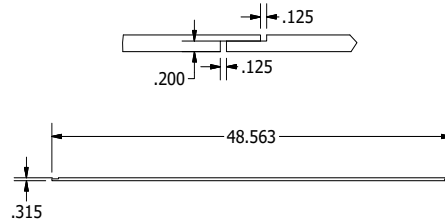
Substrate: Strand
 LP® SmartSide®
 Finish: Diamond Kote®
 Other: N/A

WEIGHT

Per Piece: 43.68 lbs.
 Per Bundle: N/A
 Per Pallet: 1966 lbs.

PACKAGING

Per Bundle: 1 Each
 Per Pallet: 45



4X9 NO GROOVE PANEL - 3/8 IN.

DRAWINGS SHOW ACTUAL DIMENSIONS

Function: Board & Patten Panel; Exterior Siding; Interior Accent Panel

Part Description: 4x9 3/8 in. NGSL Cedar Panel

ACTUAL DIMENSIONS

Exposure: 48 in.
 Overlap: 0.563 in.
 Pieces per square: 2.77
 Length: 108 in.
 Width: 48.563 in.
 Height: N/A
 Min. Thickness: 0.315 in.

CONSTRUCTION

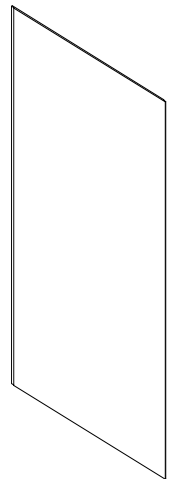
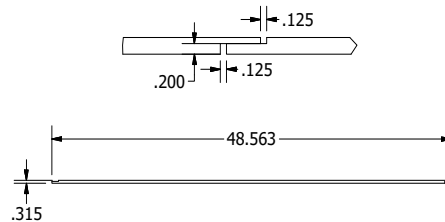
Substrate: Strand
 LP® SmartSide®
 Finish: Diamond Kote®
 Other: N/A

WEIGHT

Per Piece: 46.71 lbs.
 Per Bundle: N/A
 Per Pallet: 2102 lbs.

PACKAGING

Per Bundle: 1 Each
 Per Pallet: 45



4X10 NO GROOVE PANEL - 3/8 IN.

DRAWINGS SHOW ACTUAL DIMENSIONS

Function: Board & Patten Panel; Exterior Siding; Interior Accent Panel

Part Description: 4x10 3/8 in. NGSL Cedar Panel

ACTUAL DIMENSIONS

Exposure: 48 in.
 Overlap: 0.563 in.
 Pieces per square: 2.5
 Length: 120 in.
 Width: 48.563 in.
 Height: N/A
 Min. Thickness: 0.315 in.

CONSTRUCTION

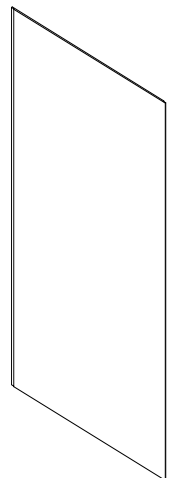
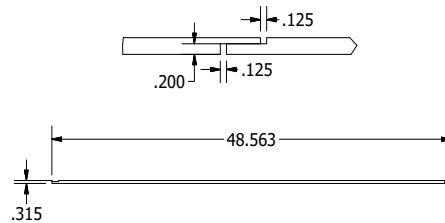
Substrate: Strand
 LP® SmartSide®
 Finish: Diamond Kote®
 Other: N/A

WEIGHT

Per Piece: 51.28 lbs.
 Per Bundle: N/A
 Per Pallet: 2308 lbs.

PACKAGING

Per Bundle: 1 Each
 Per Pallet: 45



COLOR AVAILABILITY CHART

PRODUCTS: NO GROOVE PANEL 3/8 INCH

SOLID COLORS	4X8	4X9	4X10
WHITE			
BISCUIT			
SAND			
OYSTER SHELL			
LIGHT GRAY			
CLAY			
PEWTER GREEN			
FRENCH GRAY			
PLATINUM			
TERRA BRONZE			
SEAL			
OLIVE			
PELICAN			
SMOKY ASH			
MOUNTAIN LAKE			
CINNABAR			
COFFEE			
CARIBOU			
MIDNIGHT			
GRAPHITE			
CLOVE			
BEIGE			
ONYX			
BEDROCK			
ELKHORN			
CANYON			
MAHOGANY			
GRIZZLY			
CHESTNUT			

 NOT AVAILABLE	 PAINTED TEXTURE & SMOOTH	 PAINTED TEXTURE
---	--	---

4X8 8 IN. OC GROOVED PANEL - 3/8 IN.

Function: Exterior Siding; Or Interior Accent Panel

Part Description: 4X8 3/8 in. 8 in. OC Smart Pan Cedar

ACTUAL DIMENSIONS

Exposure: 48 in.
 Overlap: 0.563 in.
 Pieces per square: 3.125
 Length: 96 in.
 Width: 48.563 in.
 Height: N/A
 Min. Thickness: 0.315 in.

CONSTRUCTION

Substrate: Strand
 LP® SmartSide®
 Finish: Diamond Kote®
 Other: N/A

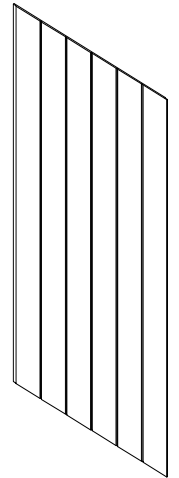
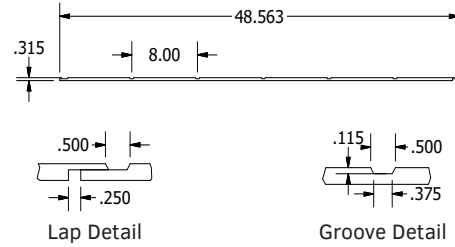
WEIGHT

Per Piece: 40.78 lbs.
 Per Bundle: N/A lbs.
 Per Pallet: 1835 lbs.

PACKAGING

Per Bundle: 1 Each
 Per Pallet: 45

DRAWINGS SHOW ACTUAL DIMENSIONS



4X9 8 IN. OC GROOVED PANEL - 3/8 IN.

Function: Exterior Siding; Or Interior Accent Panel

Part Description: 4X9 3/8 in. 8 in. OC Smart Pan Cedar

ACTUAL DIMENSIONS

Exposure: 48 in.
 Overlap: 0.563 in.
 Pieces per square: 2.77
 Length: 108 in.
 Width: 48.563 in.
 Height: N/A
 Min. Thickness: 0.315 in.

CONSTRUCTION

Substrate: Strand
 LP® SmartSide®
 Finish: Diamond Kote®
 Other: N/A

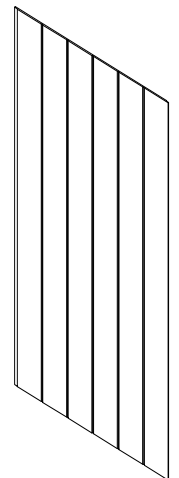
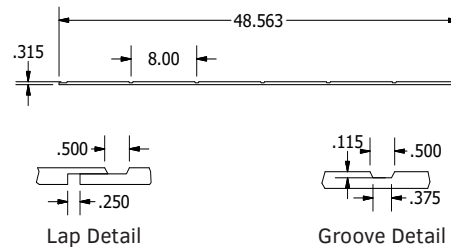
WEIGHT

Per Piece: 44.22 lbs.
 Per Bundle: N/A
 Per Pallet: 1990 lbs.

PACKAGING

Per Bundle: 1 Each
 Per Pallet: 45

DRAWINGS SHOW ACTUAL DIMENSIONS



4X10 8 IN. OC GROOVED PANEL - 3/8 IN.

Function: Exterior Siding; Or Interior Accent Panel

Part Description: 4X10 3/8 in. 8 in. OC Smart Pan Cedar

ACTUAL DIMENSIONS

Exposure: 48 in.
 Overlap: 0.563 in.
 Pieces per square: 2.5
 Length: 120 in.
 Width: 48.563 in.
 Height: N/A
 Min. Thickness: 0.315 in.

CONSTRUCTION

Substrate: Strand
 LP® SmartSide®
 Finish: Diamond Kote®
 Other: N/A

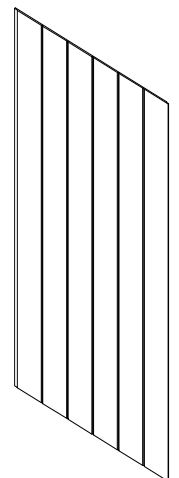
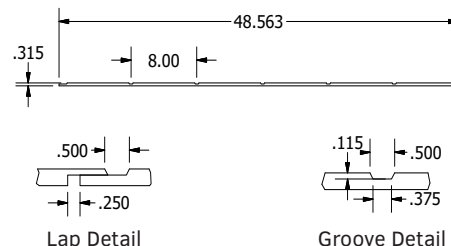
WEIGHT

Per Piece: 51 lbs.
 Per Bundle: N/A
 Per Pallet: 2295 lbs.

PACKAGING

Per Bundle: 1 Each
 Per Pallet: 45

DRAWINGS SHOW ACTUAL DIMENSIONS



COLOR AVAILABILITY CHART

PRODUCTS: 8 IN. OC GROOVED PANEL 3/8 INCH

SOLID COLORS	4X8	4X9	4X10
WHITE			
BISCUIT			
SAND			
OYSTER SHELL			
LIGHT GRAY			
CLAY			
PEWTER GREEN			
FRENCH GRAY			
PLATINUM			
TERRA BRONZE			
SEAL			
OLIVE			
PELICAN			
SMOKY ASH			
MOUNTAIN LAKE			
CINNABAR			
COFFEE			
CARIBOU			
MIDNIGHT			
GRAPHITE			
CLOVE			
BEIGE			
ONYX			
BEDROCK			
ELKHORN			
CANYON			
MAHOGANY			
GRIZZLY			
CHESTNUT			

 NOT AVAILABLE	 PAINTED TEXTURE & SMOOTH	 PAINTED TEXTURE
---	--	---

4X8 8 IN. OC GROOVED PANEL - 7/16 IN.

DRAWINGS SHOW ACTUAL DIMENSIONS

Function: Exterior Siding; Or Interior Accent Panel

Part Description: 4X8 7/16 in. 8 in. OC Smart Pan Cedar

ACTUAL DIMENSIONS

Exposure: 48 in.
 Overlap: 0.563 in.
 Pieces per square: 3.125
 Length: 96 in.
 Width: 48.563 in.
 Height: N/A
 Min. Thickness: 0.375 in.

CONSTRUCTION

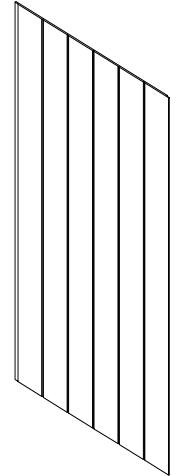
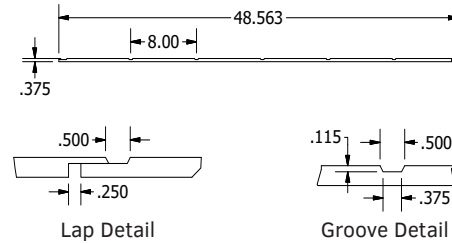
Substrate: Strand
 LP® SmartSide®
 Finish: Diamond Kote®
 Other: N/A

WEIGHT

Per Piece: 45.38 lbs.
 Per Bundle: N/A
 Per Pallet: 1815.2 lbs.

PACKAGING

Per Bundle: 1 Each
 Per Pallet: 40



4X9 8 IN. OC GROOVED PANEL - 7/16 IN.

DRAWINGS SHOW ACTUAL DIMENSIONS

Function: Exterior Siding; Or Interior Accent Panel

Part Description: 4X9 7/16 in. 8 in. OC Smart Pan Cedar

ACTUAL DIMENSIONS

Exposure: 48 in.
 Overlap: 0.563 in.
 Pieces per square: 2.77
 Length: 108 in.
 Width: 48.563 in.
 Height: N/A
 Min. Thickness: 0.375 in.

CONSTRUCTION

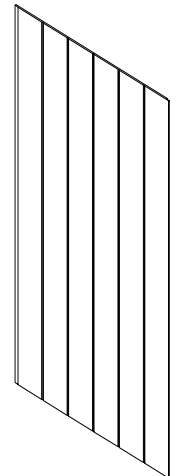
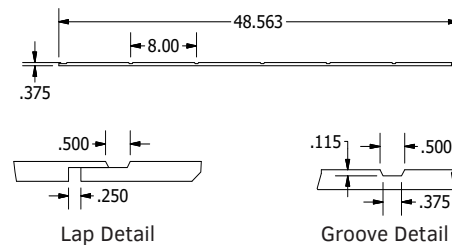
Substrate: Strand
 LP® SmartSide®
 Finish: Diamond Kote®
 Other: N/A

WEIGHT

Per Piece: 51.13 lbs.
 Per Bundle: N/A
 Per Pallet: 2045 lbs.

PACKAGING

Per Bundle: 1 Each
 Per Pallet: 40



4X10 8 IN. OC GROOVED PANEL - 7/16 IN.

DRAWINGS SHOW ACTUAL DIMENSIONS

Function: Exterior Siding; Or Interior Accent Panel

Part Description: 4X10 7/16 in. 8 in. OC Smart Pan Cedar

ACTUAL DIMENSIONS

Exposure: 48 in.
 Overlap: 0.563 in.
 Pieces per square: 2.5
 Length: 120 in.
 Width: 48.563 in.
 Height: N/A
 Min. Thickness: 0.375 in.

CONSTRUCTION

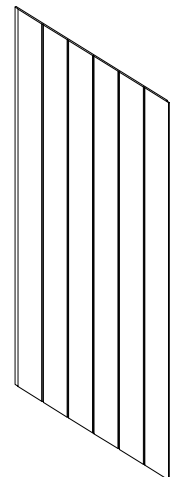
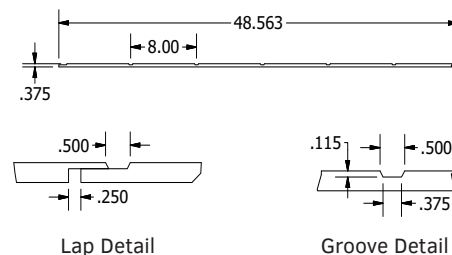
Substrate: Strand
 LP® SmartSide®
 Finish: Diamond Kote®
 Other: N/A

WEIGHT

Per Piece: 56.93 lbs.
 Per Bundle: N/A
 Per Pallet: 2277.2 lbs.

PACKAGING

Per Bundle: 1 Each
 Per Pallet: 40



COLOR AVAILABILITY CHART

PRODUCTS: 8 IN. OC GROOVED PANEL 7/16 INCH

SOLID COLORS	4X8	4X9	4X10
WHITE			
BISCUIT			
SAND			
OYSTER SHELL			
LIGHT GRAY			
CLAY			
PEWTER GREEN			
FRENCH GRAY			
PLATINUM			
TERRA BRONZE			
SEAL			
OLIVE			
PELICAN			
SMOKY ASH			
MOUNTAIN LAKE			
CINNABAR			
COFFEE			
CARIBOU			
MIDNIGHT			
GRAPHITE			
CLOVE			
BEIGE			
ONYX			
BEDROCK			
ELKHORN			
CANYON			
MAHOGANY			
GRIZZLY			
CHESTNUT			

 NOT AVAILABLE	 PAINTED TEXTURE & SMOOTH	 PAINTED TEXTURE
---	--	---

4X8 4 IN. OC GROOVED PANEL - 7/16 IN.

DRAWINGS SHOW ACTUAL DIMENSIONS

Function: Exterior Siding; Or Interior Accent Panel

Part Description: 4X8 7/16 in. 4 in. OC Smart Pan Cedar

ACTUAL DIMENSIONS

Exposure: 48 in.
 Overlap: 0.563 in.
 Pieces per square: 3.125
 Length: 96 in.
 Width: 48.563 in.
 Height: N/A
 Min. Thickness: 0.375 in.

CONSTRUCTION

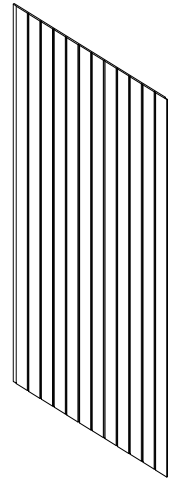
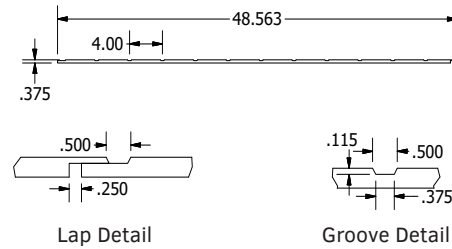
Substrate: Strand
 LP® SmartSide®
 Finish: Diamond Kote®
 Other: N/A

WEIGHT

Per Piece: 46.67 lbs.
 Per Bundle: N/A
 Per Pallet: 1867 lbs.

PACKAGING

Per Bundle: 1 Each
 Per Pallet: 40



4X9 4 IN. OC GROOVED PANEL - 7/16 IN.

DRAWINGS SHOW ACTUAL DIMENSIONS

Function: Exterior Siding; Or Interior Accent Panel

Part Description: 4X9 7/16 in. 4 in. OC Smart Pan Cedar

ACTUAL DIMENSIONS

Exposure: 48 in.
 Overlap: 0.563 in.
 Pieces per square: 2.77
 Length: 108 in.
 Width: 48.563 in.
 Height: N/A
 Min. Thickness: 0.375 in.

CONSTRUCTION

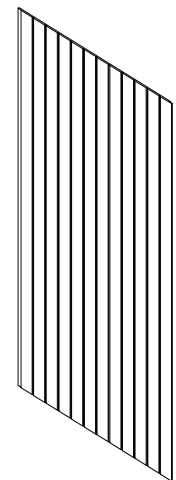
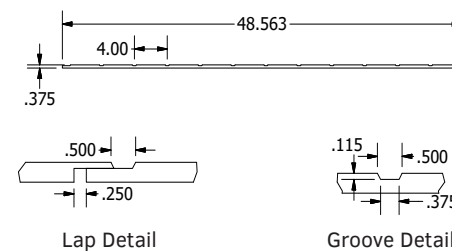
Substrate: Strand
 LP® SmartSide®
 Finish: Diamond Kote®
 Other: N/A

WEIGHT

Per Piece: 51.67 lbs.
 Per Bundle: N/A
 Per Pallet: 2067 lbs.

PACKAGING

Per Bundle: 1 Each
 Per Pallet: 40



4X10 4 IN. OC GROOVED PANEL - 7/16 IN.

DRAWINGS SHOW ACTUAL DIMENSIONS

Function: Exterior Siding; Or Interior Accent Panel

Part Description: 4X10 7/16 in. 4 in. OC Smart Pan Cedar

ACTUAL DIMENSIONS

Exposure: 48 in.
 Overlap: 0.563 in.
 Pieces per square: 2.5
 Length: 120 in.
 Width: 48.563 in.
 Height: N/A
 Min. Thickness: 0.375 in.

CONSTRUCTION

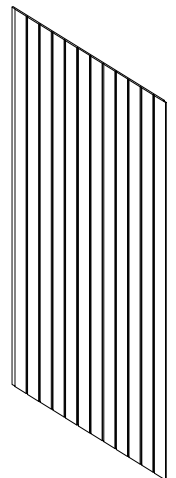
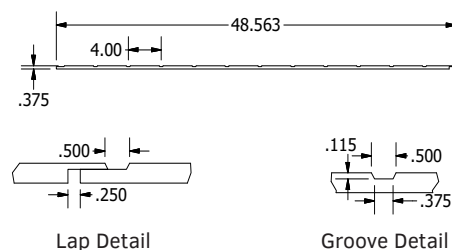
Substrate: LP® SmartSide®
 Finish: Diamond Kote®
 Other: N/A

WEIGHT

Per Piece: 56.93 lbs.
 Per Bundle: N/A
 Per Pallet: 2277 lbs.

PACKAGING

Per Bundle: 1 Each
 Per Pallet: 40



COLOR AVAILABILITY CHART

PRODUCTS: 4 IN. OC GROOVED PANEL 7/16 INCH

SOLID COLORS	4X8	4X9	4X10
WHITE			
BISCUIT			
SAND			
OYSTER SHELL			
LIGHT GRAY			
CLAY			
PEWTER GREEN			
FRENCH GRAY			
PLATINUM			
TERRA BRONZE			
SEAL			
OLIVE			
PELICAN			
SMOKY ASH			
MOUNTAIN LAKE			
CINNABAR			
COFFEE			
CARIBOU			
MIDNIGHT			
GRAPHITE			
CLOVE			
BEIGE			
ONYX			
BEDROCK			
ELKHORN			
CANYON			
MAHOGANY			
GRIZZLY			
CHESTNUT			

 NOT AVAILABLE	 PAINTED TEXTURE & SMOOTH	 PAINTED TEXTURE
---	--	---

7 IN. RIGIDSHAKE™ STAGGERED EDGE

Function: Textured Shake Siding

Part Description: RS 7" Stag Shake Ced 7x48

ACTUAL DIMENSIONS

Exposure: 4.875 in.
 Overlap: 2.125 in.
 Pieces per square: 61.53
 Length: 48 in.
 Width: 7 in.
 Height: N/A
 Min. Thickness: 0.315 in.

CONSTRUCTION

Substrate: Strand
 LP® SmartSide®
 Finish: Diamond Kote®
 Other: Plastic

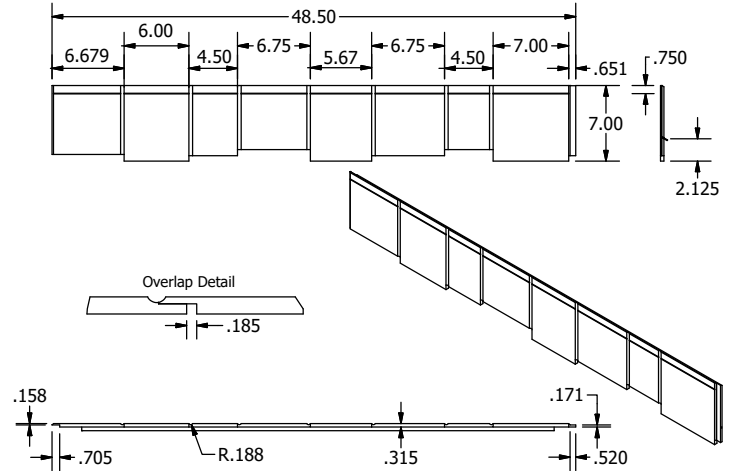
WEIGHT

Per Piece: 3.15 lbs.
 Per Bundle: 12.6 lbs.
 Per Pallet: 756 lbs.

PACKAGING

Per Carton: 4
 Per Pallet: 240

DRAWINGS SHOW ACTUAL DIMENSIONS



7 IN. RIGIDSHAKE™ STRAIGHT EDGE

Function: Textured Shake Siding

Part Description: RS 7" Strt Shake Ced 7x48

ACTUAL DIMENSIONS

Exposure: 4.875 in.
 Overlap: 2.125 in.
 Pieces per square: 61.53
 Length: 48 in.
 Width: 7 in.
 Height: N/A
 Min. Thickness: 0.315 in.

CONSTRUCTION

Substrate: Strand
 LP® SmartSide®
 Finish: Diamond Kote®
 Other: Plastic

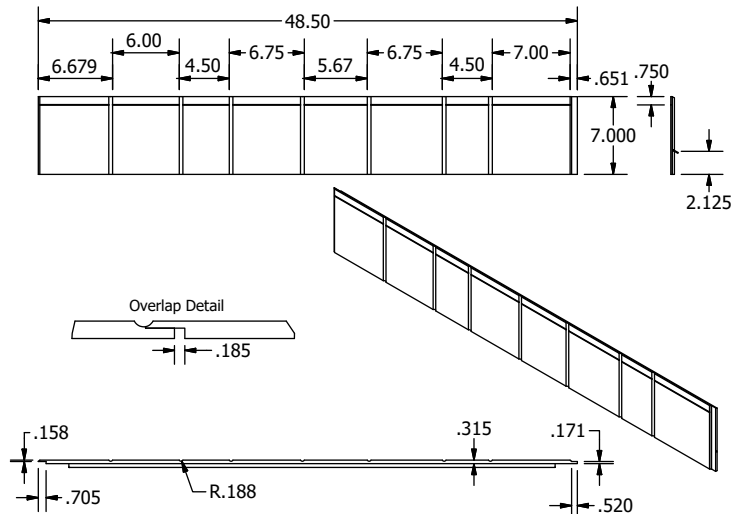
WEIGHT

Per Piece: 3.52 lbs.
 Per Bundle: 14.08 lbs.
 Per Pallet: 844.8 lbs.

PACKAGING

Per Carton: 4
 Per Pallet: 240

DRAWINGS SHOW ACTUAL DIMENSIONS



COLOR AVAILABILITY CHART
PRODUCTS: 7 INCH RIGIDSHAKE™

SOLID COLORS	STAGGERED EDGE	STRAIGHT EDGE
WHITE		
BISCUIT		
SAND		
OYSTER SHELL		
LIGHT GRAY		
CLAY		
PEWTER GREEN		
FRENCH GRAY		
PLATINUM		
TERRA BRONZE		
SEAL		
OLIVE		
PELICAN		
SMOKY ASH		
MOUNTAIN LAKE		
CINNABAR		
COFFEE		
CARIBOU		
MIDNIGHT		
GRAPHITE		
CLOVE		
BEIGE		
ONYX		
BEDROCK		
ELKHORN		
CANYON		
MAHOGANY		
GRIZZLY		
CHESTNUT		

 NOT AVAILABLE	 PAINTED TEXTURE & SMOOTH	 PAINTED TEXTURE
---	--	---

9 IN. RIGIDSHAKE™ STAGGERED EDGE

Function: Textured Shake Siding

Part Description: RS 9" Stag Shake Ced 9x48

ACTUAL DIMENSIONS

Exposure: 6.875 in.
 Overlap: 2.125 in.
 Pieces per square: 43.63
 Length: 48 in.
 Width: 9 in.
 Height: N/A
 Min. Thickness: 0.315 in.

CONSTRUCTION

Substrate: Strand
 LP® SmartSide®
 Finish: Diamond Kote®
 Other: Plastic

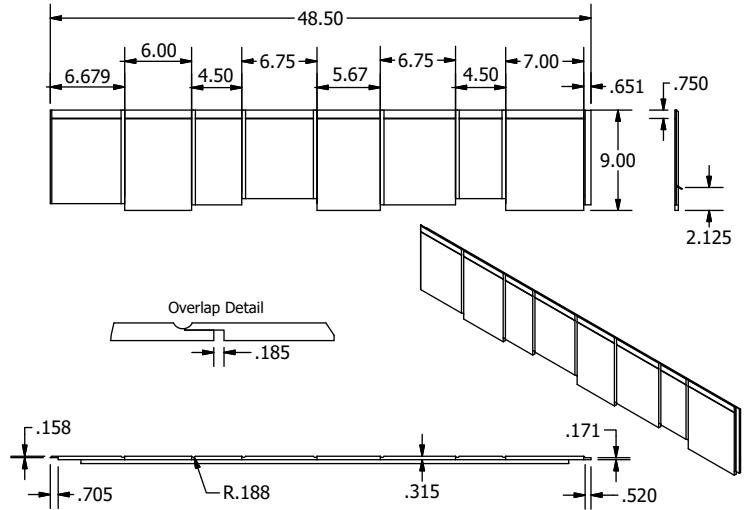
WEIGHT

Per Piece: 4 lbs.
 Per Bundle: 16 lbs.
 Per Pallet: 768 lbs.

PACKAGING

Per Carton: 4
 Per Pallet: 192

DRAWINGS SHOW ACTUAL DIMENSIONS



9 IN. RIGIDSHAKE™ STRAIGHT EDGE

Function: Textured Shake Siding

Part Description: RS 9" Strt Shake WSS Ced 9x48

ACTUAL DIMENSIONS

Exposure: 6.875 in.
 Overlap: 2.125 in.
 Pieces per square: 43.63
 Length: 48 in.
 Width: 9 in.
 Height: N/A
 Min. Thickness: 0.315 in.

CONSTRUCTION

Substrate: Strand
 LP® SmartSide®
 Finish: Diamond Kote®
 Other: Plastic

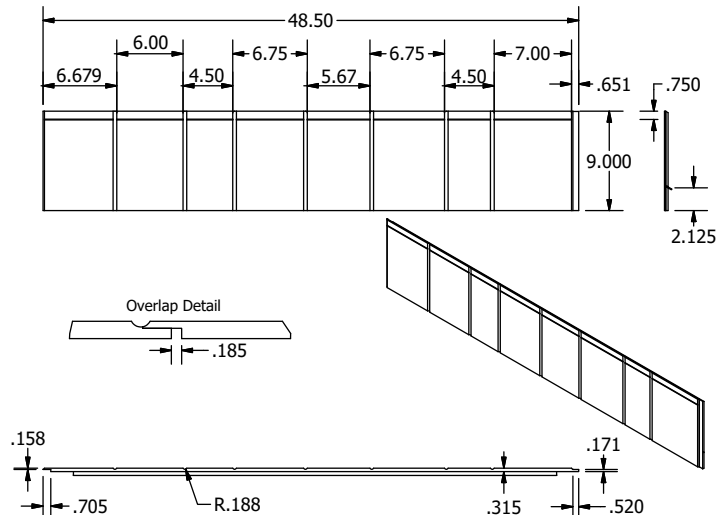
WEIGHT

Per Piece: 4.51 lbs.
 Per Bundle: 18.04 lbs.
 Per Pallet: 865.92 lbs.

PACKAGING

Per Carton: 4
 Per Pallet: 192

DRAWINGS SHOW ACTUAL DIMENSIONS



COLOR AVAILABILITY CHART

PRODUCTS: 9 INCH RIGIDSHAKE™

SOLID COLORS	STAGGERED EDGE	STRAIGHT EDGE
WHITE		
BISCUIT		
SAND		
OYSTER SHELL		
LIGHT GRAY		
CLAY		
PEWTER GREEN		
FRENCH GRAY		
PLATINUM		
TERRA BRONZE		
SEAL		
OLIVE		
PELICAN		
SMOKY ASH		
MOUNTAIN LAKE		
CINNABAR		
COFFEE		
CARIBOU		
MIDNIGHT		
GRAPHITE		
CLOVE		
BEIGE		
ONYX		
BEDROCK		
ELKHORN		
CANYON		
MAHOGANY		
GRIZZLY		
CHESTNUT		



NOT AVAILABLE



PAINTED TEXTURE & SMOOTH



PAINTED TEXTURE

12 IN. RIGIDSHAKE™ STAGGERED EDGE

Function: Textured Shake Siding

Part Description: RS 12" Stag Shake Ced 12x48

ACTUAL DIMENSIONS

Exposure: 9.625 in.
 Overlap: 2.125 in.
 Pieces per square: 31.16
 Length: 48 in.
 Width: 11.77 in.
 Height: N/A
 Min. Thickness: 0.315 in.

CONSTRUCTION

Substrate: Strand
 LP® SmartSide®
 Finish: Diamond Kote®
 Other: Plastic

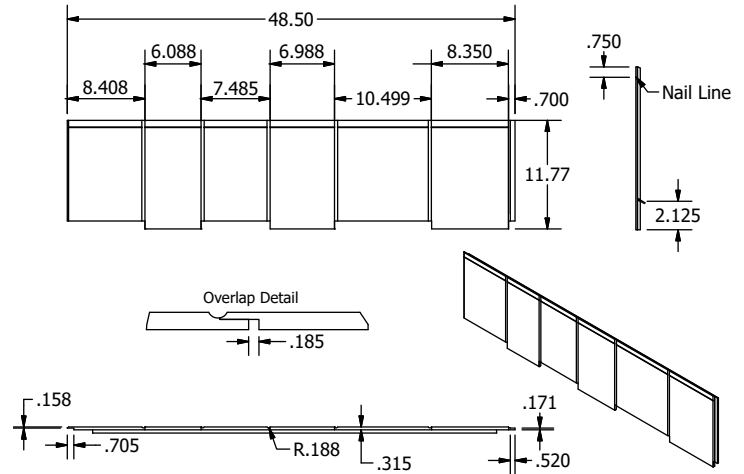
WEIGHT

Per Piece: 4.4 lbs.
 Per Bundle: 21 lbs.
 Per Pallet: 634 lbs.

PACKAGING

Per Carton: 4
 Per Pallet: 144

DRAWINGS SHOW ACTUAL DIMENSIONS



12 IN. RIGIDSHAKE™ STRAIGHT EDGE

Function: Textured Shake Siding

Part Description: RS 12" Strt Shake Ced 12x48

ACTUAL DIMENSIONS

Exposure: 9.625 in.
 Overlap: 2.125 in.
 Pieces per square: 31.16
 Length: 48 in.
 Width: 11.77 in.
 Height: N/A
 Min. Thickness: 0.315 in.

CONSTRUCTION

Substrate: Strand
 LP® SmartSide®
 Finish: Diamond Kote®
 Other: Plastic

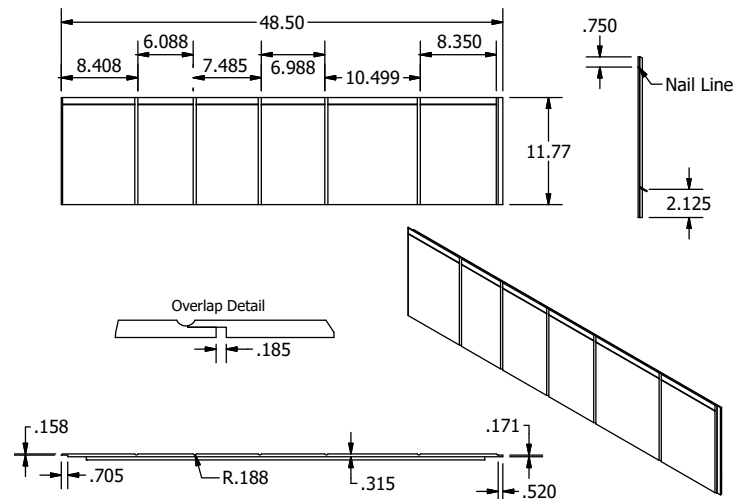
WEIGHT

Per Piece: 4.8 lbs.
 Per Bundle: 22 lbs.
 Per Pallet: 691 lbs.

PACKAGING

Per Carton: 4
 Per Pallet: 144

DRAWINGS SHOW ACTUAL DIMENSIONS



COLOR AVAILABILITY CHART

PRODUCTS: 12 INCH RIGIDSHAKE™

SOLID COLORS	STAGGERED EDGE	STRAIGHT EDGE
WHITE		
BISCUIT		
SAND		
OYSTER SHELL		
LIGHT GRAY		
CLAY		
PEWTER GREEN		
FRENCH GRAY		
PLATINUM		
TERRA BRONZE		
SEAL		
OLIVE		
PELICAN		
SMOKY ASH		
MOUNTAIN LAKE		
CINNABAR		
COFFEE		
CARIBOU		
MIDNIGHT		
GRAPHITE		
CLOVE		
BEIGE		
ONYX		
BEDROCK		
ELKHORN		
CANYON		
MAHOGANY		
GRIZZLY		
CHESTNUT		



NOT AVAILABLE



PAINTED TEXTURE & SMOOTH



PAINTED TEXTURE

12 IN. SCALLOP - HISTORIC COLLECTION

Function: Textured Shape Siding

Part Description: Scallop

ACTUAL DIMENSIONS

Exposure: 7.75 in.
 Overlap: 4 in.
 Pieces per square: 39
 Length: 48 in.
 Width: 11.77 in.
 Height: N/A
 Min. Thickness: 0.315 in.

CONSTRUCTION

Substrate: Strand
 LP® SmartSide®
 Finish: Diamond Kote®
 Other: N/A

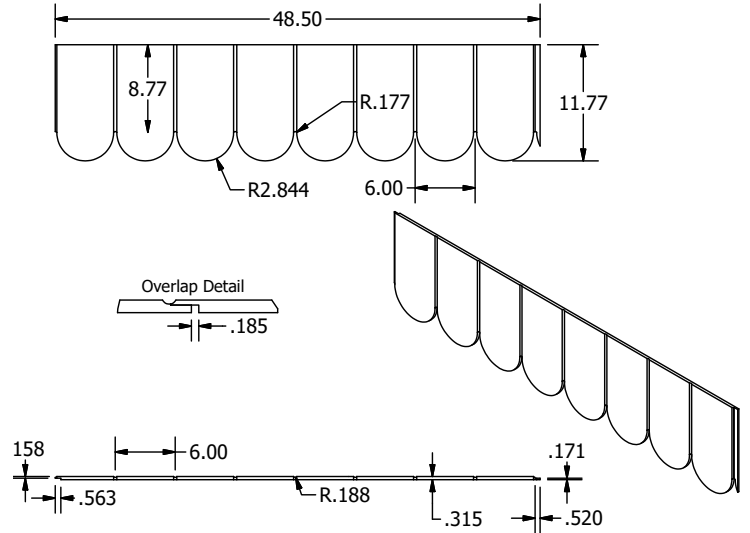
WEIGHT

Per Piece: 4.6 lbs.
 Per Bundle: 21.8 lbs.
 Per Pallet: 662 lbs.

PACKAGING

Per Bundle: 4
 Per Pallet: 144

DRAWINGS SHOW ACTUAL DIMENSIONS



12 IN. OCTAGON - HISTORIC COLLECTION

Function: Textured Shape Siding

Part Description: Octagon

ACTUAL DIMENSIONS

Exposure: 9.625 in.
 Overlap: 2.125 in.
 Pieces per square: 31.16
 Length: 48 in.
 Width: 11.77 in.
 Height: N/A
 Min. Thickness: 0.315 in.

CONSTRUCTION

Substrate: Strand
 LP® SmartSide®
 Finish: Diamond Kote®
 Other: N/A

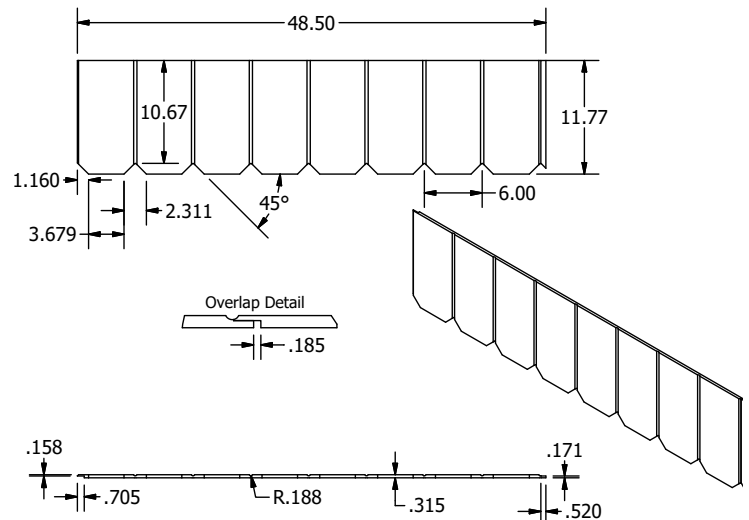
WEIGHT

Per Piece: 4.8 lbs.
 Per Bundle: 22 lbs.
 Per Pallet: 691 lbs.

PACKAGING

Per Bundle: 4
 Per Pallet: 144

DRAWINGS SHOW ACTUAL DIMENSIONS



COLOR AVAILABILITY CHART

PRODUCTS: 12 INCH SCALLOP & OCTAGON

SOLID COLORS	SCALLOP	OCTAGON
WHITE		
BISCUIT		
SAND		
OYSTER SHELL		
LIGHT GRAY		
CLAY		
PEWTER GREEN		
FRENCH GRAY		
PLATINUM		
TERRA BRONZE		
SEAL		
OLIVE		
PELICAN		
SMOKY ASH		
MOUNTAIN LAKE		
CINNABAR		
COFFEE		
CARIBOU		
MIDNIGHT		
GRAPHITE		
CLOVE		
BEIGE		
ONYX		
BEDROCK		
ELKHORN		
CANYON		
MAHOGANY		
GRIZZLY		
CHESTNUT		



NOT AVAILABLE



PAINTED TEXTURE & SMOOTH



PAINTED TEXTURE

4 IN. NAIL FIN OUTSIDE CORNER - 10 FT

Function: One piece design used to trim the outside corners; Part of the exterior siding system

Part Description: 5/4X4X10 OSC LP Ced W/Nail Fin

ACTUAL DIMENSIONS

Exposure: 3.5 in.
Overlap: N/A
Pieces per square: N/A
Length: 120 in.
Width: 3.5 in.
Height: N/A
Min. Thickness: 0.91 in.

CONSTRUCTION

Substrate: Strand
LP® SmartSide®
Finish: Diamond Kote®
Other: Plastic

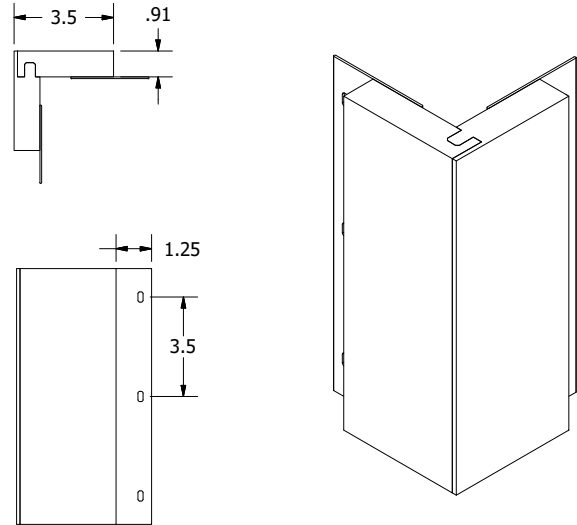
WEIGHT

Per Piece: 19.67 lbs.
Per Bundle: 19.67 lbs.
Per Pallet: 590.1 lbs.

PACKAGING

Per Bundle: 1
Per Pallet: 30

DRAWINGS SHOW ACTUAL DIMENSIONS



6 IN. NAIL FIN OUTSIDE CORNER - 10 FT

Function: One piece design used to trim the outside corners; Part of the exterior siding system

Part Description: 5/4X6X10 OSC LP Ced W/Nail Fin

ACTUAL DIMENSIONS

Exposure: 5.5 in.
Overlap: N/A
Pieces per square: N/A
Length: 120
Width: 5.5 in.
Height: N/A
Min. Thickness: 0.91 in.

CONSTRUCTION

Substrate: Strand
LP® SmartSide®
Finish: Diamond Kote®
Other: Plastic

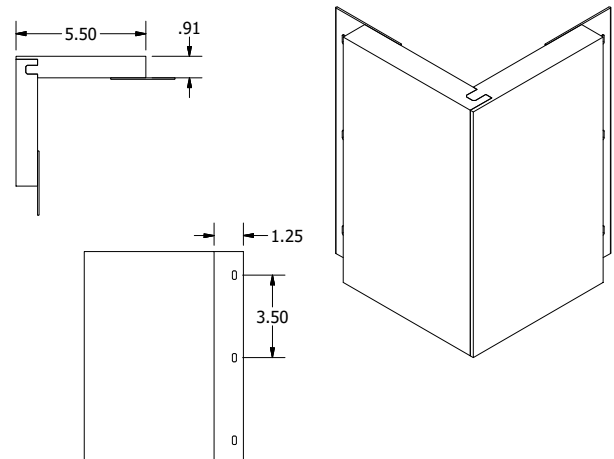
WEIGHT

Per Piece: 32 lbs.
Per Bundle: 32 lbs.
Per Pallet: 480 lbs.

PACKAGING

Per Bundle: 1
Per Pallet: 15

DRAWINGS SHOW ACTUAL DIMENSIONS



COLOR AVAILABILITY CHART

PRODUCTS: NAIL FIN OUTSIDE CORNER - 10 FT

SOLID COLORS	4 INCH	6 INCH
WHITE		
BISCUIT		
SAND		
OYSTER SHELL		
LIGHT GRAY		
CLAY		
PEWTER GREEN		
FRENCH GRAY		
PLATINUM		
TERRA BRONZE		
SEAL		
OLIVE		
PELICAN		
SMOKY ASH		
MOUNTAIN LAKE		
CINNABAR		
COFFEE		
CARIBOU		
MIDNIGHT		
GRAPHITE		
CLOVE		
BEIGE		
ONYX		
BEDROCK		
ELKHORN		
CANYON		
MAHOGANY		
GRIZZLY		
CHESTNUT		

 NOT AVAILABLE	 PAINTED TEXTURE & SMOOTH	 PAINTED TEXTURE
---	--	---

4 IN. NAIL FIN OUTSIDE CORNER - 16 FT

DRAWINGS SHOW ACTUAL DIMENSIONS

Function: One piece design used to trim the outside corners; Part of the exterior siding system

Part Description: 5/4X4X16 OSC LP Ced W/Nail Fin

ACTUAL DIMENSIONS

Exposure: 3.5 in.
 Overlap: N/A
 Pieces per square: N/A
 Length: 192 in.
 Width: 3.5 in.
 Height: N/A
 Min. Thickness: 0.91 in.

CONSTRUCTION

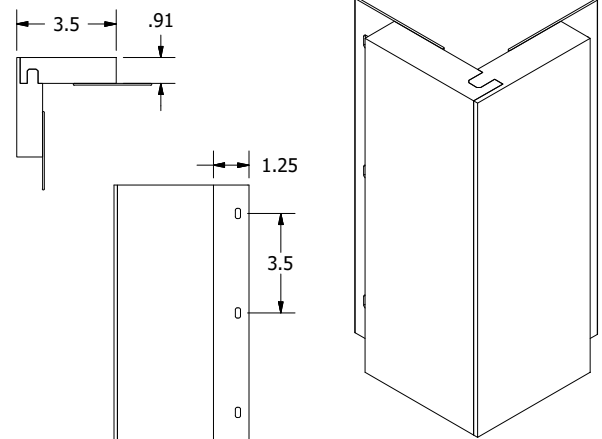
Substrate: Strand
 LP® SmartSide®
 Finish: Diamond Kote®
 Other: Plastic

WEIGHT

Per Piece: 31.47 lbs.
 Per Bundle: 31.47 lbs.
 Per Pallet: 944.1 lbs.

PACKAGING

Per Bundle: 1
 Per Pallet: 30



6 IN. NAIL FIN OUTSIDE CORNER - 16 FT

DRAWINGS SHOW ACTUAL DIMENSIONS

Function: One piece design used to trim the outside corners; Part of the exterior siding system

Part Description: 5/4X6X16 OSC LP Ced W/Nail Fin

ACTUAL DIMENSIONS

Exposure: 5.5 in.
 Overlap: N/A
 Pieces per square: N/A
 Length: 192 in.
 Width: 5.5 in.
 Height: N/A
 Min. Thickness: 0.91 in.

CONSTRUCTION

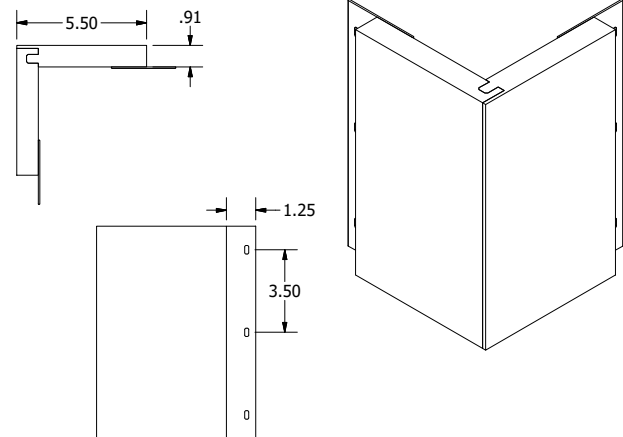
Substrate: Strand
 LP® SmartSide®
 Finish: Diamond Kote®
 Other: Plastic

WEIGHT

Per Piece: 52 lbs.
 Per Bundle: 52 lbs.
 Per Pallet: 780 lbs.

PACKAGING

Per Bundle: 1
 Per Pallet: 15



3 IN. NAIL FIN INSIDE CORNER - 10 FT

DRAWINGS SHOW ACTUAL DIMENSIONS

Function: One piece design used to trim the outside corners; Part of the exterior siding system

Part Description: 5/4X3X10 ISC Ced Nail Fin

ACTUAL DIMENSIONS

Exposure:
 1.50 in. X 1.50 in.
 Overlap: N/A
 Pieces per square: N/A
 Length: 120 in.
 Width: 2.41 in.
 Height: N/A
 Min. Thickness: 0.91 in.

CONSTRUCTION

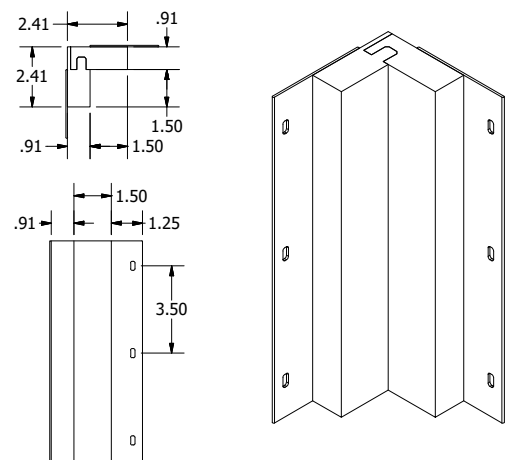
Substrate: Strand
 LP® SmartSide®
 Finish: Diamond Kote®
 Other: Plastic

WEIGHT

Per Piece: 16 lbs.
 Per Bundle: 16 lbs.
 Per Pallet: 400 lbs.

PACKAGING

Per Bundle: 1
 Per Pallet: 25



COLOR AVAILABILITY CHART

**PRODUCTS: NAIL FIN OUTSIDE CORNER - 16 FT
& NAIL FIN INSIDE CORNER - 10 FT**

SOLID COLORS	OUTSIDE CORNER		INSIDE CORNER
	4 INCH	6 INCH	3 INCH
WHITE			
BISCUIT			
SAND			
OYSTER SHELL			
LIGHT GRAY			
CLAY			
PEWTER GREEN			
FRENCH GRAY			
PLATINUM			
TERRA BRONZE			
SEAL			
OLIVE			
PELICAN			
SMOKY ASH			
MOUNTAIN LAKE			
CINNABAR			
COFFEE			
CARIBOU			
MIDNIGHT			
GRAPHITE			
CLOVE			
BEIGE			
ONYX			
BEDROCK			
ELKHORN			
CANYON			
MAHOGANY			
GRIZZLY			
CHESTNUT			

 NOT AVAILABLE	 PAINTED TEXTURE & SMOOTH	 PAINTED TEXTURE
---	--	---

4 IN. NAIL FIN TRIM

DRAWINGS SHOW ACTUAL DIMENSIONS

Function: Trim boards used around windows, doors, and gable accents; Vertical terminations of siding

Part Description: 5/4X4X16 Trim Nail Fin

ACTUAL DIMENSIONS

Exposure: 3.5 in.
 Overlap: N/A
 Pieces per square: N/A
 Length: 192 in.
 Width: 3.5 in.
 Height: N/A
 Min. Thickness: 0.91 in.

CONSTRUCTION

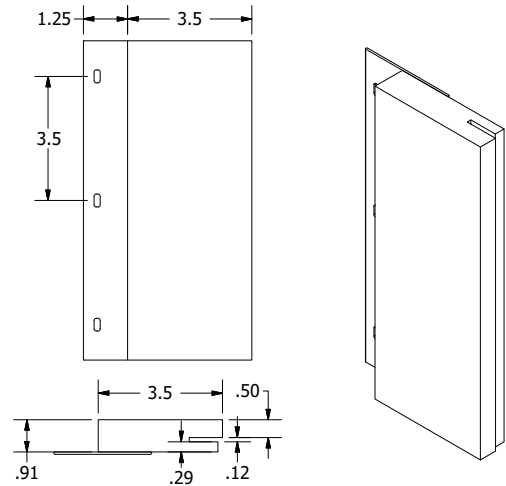
Substrate: Strand
 LP® SmartSide®
 Finish: Diamond Kote®
 Other: Plastic

WEIGHT

Per Piece: 16.67 lbs.
 Per Bundle: 33.34 lbs.
 Per Pallet: 1500.3 lbs.

PACKAGING

Per Bundle: 2
 Per Pallet: 90



6 IN. NAIL FIN TRIM

DRAWINGS SHOW ACTUAL DIMENSIONS

Function: Trim boards used around windows, doors, and gable accents; Vertical terminations of siding

Part Description: 5/4X6X16 Trim Nail Fin

ACTUAL DIMENSIONS

Exposure: 5.5 in.
 Overlap: N/A
 Pieces per square: N/A
 Length: 192 in.
 Width: 5.5 in.
 Height: N/A
 Min. Thickness: 0.91 in.

CONSTRUCTION

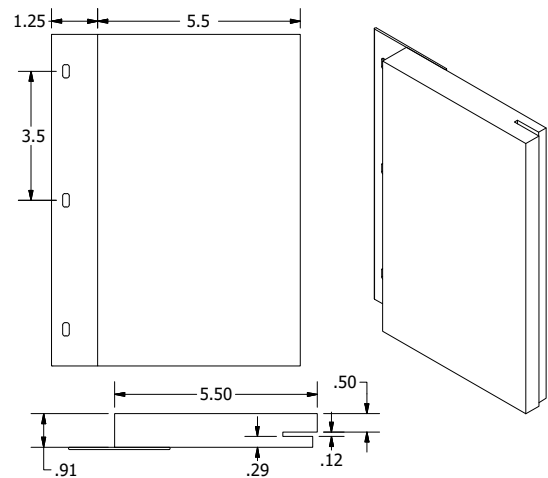
Substrate: Strand
 LP® SmartSide®
 Finish: Diamond Kote®
 Other: Plastic

WEIGHT

Per Piece: 25.33 lbs.
 Per Bundle: 50.66 lbs.
 Per Pallet: 1520 lbs.

PACKAGING

Per Bundle: 2
 Per Pallet: 60



TRIM CLIP

DRAWINGS SHOW ACTUAL DIMENSIONS

Function: Trim Clip mounts Nail Fin Trim to the wall

Part Description: Trim Clip 3/8 in.X 2 in. Alum 100/Bg 10Bg/Ct

ACTUAL DIMENSIONS

Exposure: N/A
 Overlap: 0.75 in.
 Pieces/Trim Board: 12
 Length: 1.63 in.
 Width: 0.38 in.
 Height: 1.56 in.
 Min. Thickness: 0.019 in.

CONSTRUCTION

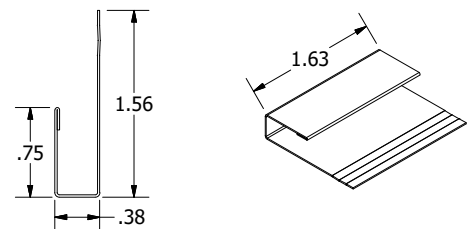
Substrate: Aluminium
 Finish: Q800 Tufftech®
 Other: N/A

WEIGHT

Per Piece: 0.0085 lbs.
 Per Bundle: 0.85 lbs.
 Per Pallet: 8.5 lbs.

PACKAGING

Per Bundle: 100
 Per Pallet: N/A



COLOR AVAILABILITY CHART
PRODUCTS: NAIL FIN TRIM & TRIM CLIP

SOLID COLORS	NAIL FIN TRIM		TRIM CLIP
	4 INCH	6 INCH	3/8X2
WHITE	PAINTED TEXTURE & SMOOTH	PAINTED TEXTURE & SMOOTH	NOT AVAILABLE
BISCUIT	PAINTED TEXTURE & SMOOTH	PAINTED TEXTURE & SMOOTH	NOT AVAILABLE
SAND	PAINTED TEXTURE & SMOOTH	PAINTED TEXTURE & SMOOTH	NOT AVAILABLE
OYSTER SHELL	PAINTED TEXTURE & SMOOTH	PAINTED TEXTURE & SMOOTH	NOT AVAILABLE
LIGHT GRAY	PAINTED TEXTURE & SMOOTH	PAINTED TEXTURE & SMOOTH	NOT AVAILABLE
CLAY	PAINTED TEXTURE & SMOOTH	PAINTED TEXTURE & SMOOTH	NOT AVAILABLE
PEWTER GREEN	PAINTED TEXTURE & SMOOTH	PAINTED TEXTURE & SMOOTH	NOT AVAILABLE
FRENCH GRAY	PAINTED TEXTURE & SMOOTH	PAINTED TEXTURE & SMOOTH	NOT AVAILABLE
PLATINUM	PAINTED TEXTURE & SMOOTH	PAINTED TEXTURE & SMOOTH	NOT AVAILABLE
TERRA BRONZE	PAINTED TEXTURE & SMOOTH	PAINTED TEXTURE & SMOOTH	NOT AVAILABLE
SEAL	PAINTED TEXTURE & SMOOTH	PAINTED TEXTURE & SMOOTH	NOT AVAILABLE
OLIVE	PAINTED TEXTURE & SMOOTH	PAINTED TEXTURE & SMOOTH	NOT AVAILABLE
PELICAN	PAINTED TEXTURE & SMOOTH	PAINTED TEXTURE & SMOOTH	NOT AVAILABLE
SMOKY ASH	PAINTED TEXTURE & SMOOTH	PAINTED TEXTURE & SMOOTH	NOT AVAILABLE
MOUNTAIN LAKE	PAINTED TEXTURE & SMOOTH	PAINTED TEXTURE & SMOOTH	NOT AVAILABLE
CINNABAR	PAINTED TEXTURE & SMOOTH	PAINTED TEXTURE & SMOOTH	NOT AVAILABLE
COFFEE	PAINTED TEXTURE & SMOOTH	PAINTED TEXTURE & SMOOTH	NOT AVAILABLE
CARIBOU	PAINTED TEXTURE & SMOOTH	PAINTED TEXTURE & SMOOTH	NOT AVAILABLE
MIDNIGHT	PAINTED TEXTURE & SMOOTH	PAINTED TEXTURE & SMOOTH	NOT AVAILABLE
GRAPHITE	PAINTED TEXTURE & SMOOTH	PAINTED TEXTURE & SMOOTH	NOT AVAILABLE
CLOVE	PAINTED TEXTURE & SMOOTH	PAINTED TEXTURE & SMOOTH	NOT AVAILABLE
BEIGE	PAINTED TEXTURE & SMOOTH	PAINTED TEXTURE & SMOOTH	NOT AVAILABLE
ONYX	PAINTED TEXTURE & SMOOTH	PAINTED TEXTURE & SMOOTH	NOT AVAILABLE
BEDROCK	PAINTED TEXTURE	PAINTED TEXTURE	NOT AVAILABLE
ELKHORN	PAINTED TEXTURE	PAINTED TEXTURE	NOT AVAILABLE
CANYON	PAINTED TEXTURE	PAINTED TEXTURE	NOT AVAILABLE
MAHOGANY	PAINTED TEXTURE	PAINTED TEXTURE	NOT AVAILABLE
GRIZZLY	PAINTED TEXTURE	PAINTED TEXTURE	NOT AVAILABLE
CHESTNUT	PAINTED TEXTURE	PAINTED TEXTURE	NOT AVAILABLE

 NOT AVAILABLE	 PAINTED TEXTURE & SMOOTH	 PAINTED TEXTURE
---	--	---

5/4 X 2 IN. SMART TRIM

Function: Textured trim board used to accent any substrate

Part Description: 5/4X2X16 ft. Smart Trim

ACTUAL DIMENSIONS

Exposure: N/A
 Overlap: N/A
 Pieces per square: N/A
 Length: 192 in.
 Width: 1.5 in.
 Height: N/A
 Min. Thickness: 0.91 in.

CONSTRUCTION

Substrate: Strand
 LP® SmartSide®
 Finish: Diamond Kote®
 Other: N/A

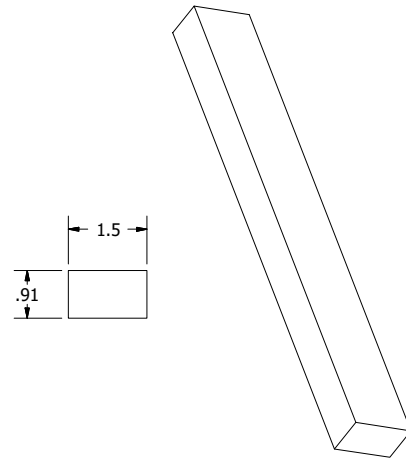
WEIGHT

Per Piece: 6.52 lbs.
 Per Bundle: 13.04 lbs.
 Per Pallet: 1669.12 lbs.

PACKAGING

Per Bundle: 4
 Per Pallet: 256

DRAWINGS SHOW ACTUAL DIMENSIONS



5/4 X 3 IN. SMART TRIM

Function: Textured trim board used to accent any substrate

Part Description: 5/4X3X16 ft. Smart Trim

ACTUAL DIMENSIONS

Exposure: N/A
 Overlap: N/A
 Pieces per square: N/A
 Length: 192 in.
 Width: 2.5 in.
 Height: N/A
 Min. Thickness: 0.91 in.

CONSTRUCTION

Substrate: Strand
 LP® SmartSide®
 Finish: Diamond Kote®
 Other: N/A

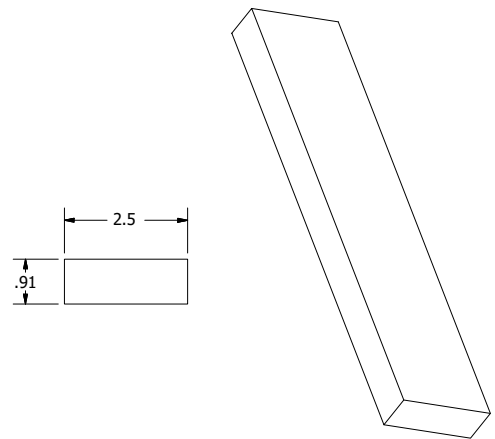
WEIGHT

Per Piece: 12.03 lbs.
 Per Bundle: 12.03 lbs.
 Per Pallet: 1948.86 lbs.

PACKAGING

Per Bundle: 4
 Per Pallet: 162

DRAWINGS SHOW ACTUAL DIMENSIONS



5/4 X 4 IN. SMART TRIM

Function: Textured trim board used to accent any substrate

Part Description: 5/4X4X16 ft. Smart Trim

ACTUAL DIMENSIONS

Exposure: N/A
 Overlap: N/A
 Pieces per square: N/A
 Length: 192 in.
 Width: 3.5 in.
 Height: N/A
 Min. Thickness: 0.91 in.

CONSTRUCTION

Substrate: Strand
 LP® SmartSide®
 Finish: Diamond Kote®
 Other: N/A

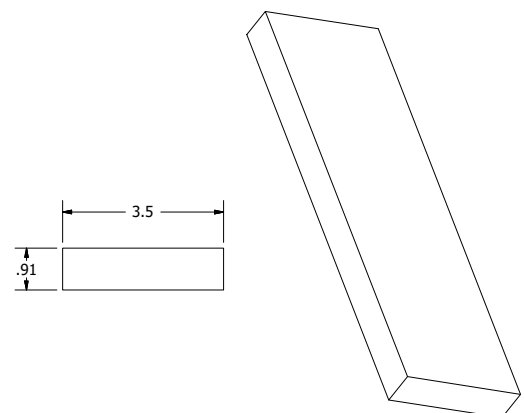
WEIGHT

Per Piece: 15.17 lbs.
 Per Bundle: 30.34 lbs.
 Per Pallet: 1820.4 lbs.

PACKAGING

Per Bundle: 2
 Per Pallet: 120

DRAWINGS SHOW ACTUAL DIMENSIONS



COLOR AVAILABILITY CHART
PRODUCTS: SMART TRIM - 5/4 INCH

SOLID COLORS	2 INCH	3 INCH	4 INCH
WHITE			
BISCUIT			
SAND			
OYSTER SHELL			
LIGHT GRAY			
CLAY			
PEWTER GREEN			
FRENCH GRAY			
PLATINUM			
TERRA BRONZE			
SEAL			
OLIVE			
PELICAN			
SMOKY ASH			
MOUNTAIN LAKE			
CINNABAR			
COFFEE			
CARIBOU			
MIDNIGHT			
GRAPHITE			
CLOVE			
BEIGE			
ONYX			
BEDROCK			
ELKHORN			
CANYON			
MAHOGANY			
GRIZZLY			
CHESTNUT			

 NOT AVAILABLE	 PAINTED TEXTURE & SMOOTH	 PAINTED TEXTURE
---	--	---

5/4 X 6 IN. SMART TRIM

Function: Textured trim board used to accent any substrate

Part Description: 5/4X6X16 ft. Smart Trim

ACTUAL DIMENSIONS

Exposure: N/A
 Overlap: N/A
 Pieces per square: N/A
 Length: 192 in.
 Width: 5.5 in.
 Height: N/A
 Min. Thickness: 0.91 in.

CONSTRUCTION

Substrate: Strand
 LP® SmartSide®
 Finish: Diamond Kote®
 Other: N/A

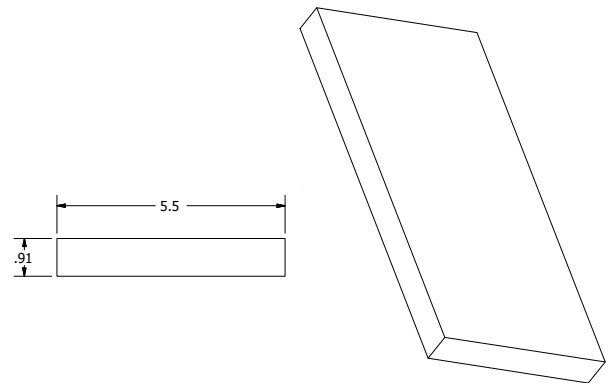
WEIGHT

Per Piece: 24.43 lbs.
 Per Bundle: 48.86 lbs.
 Per Pallet: 1710.1 lbs.

PACKAGING

Per Bundle: 2
 Per Pallet: 70

DRAWINGS SHOW ACTUAL DIMENSIONS



5/4 X 8 IN. SMART TRIM

Function: Textured trim board used to accent any substrate

Part Description: 5/4X8X16 ft. Smart Trim

ACTUAL DIMENSIONS

Exposure: N/A
 Overlap: N/A
 Pieces per square: N/A
 Length: 192 in.
 Width: 7.21 in.
 Height: N/A
 Min. Thickness: 0.91 in.

CONSTRUCTION

Substrate: Strand
 LP® SmartSide®
 Finish: Diamond Kote®
 Other: N/A

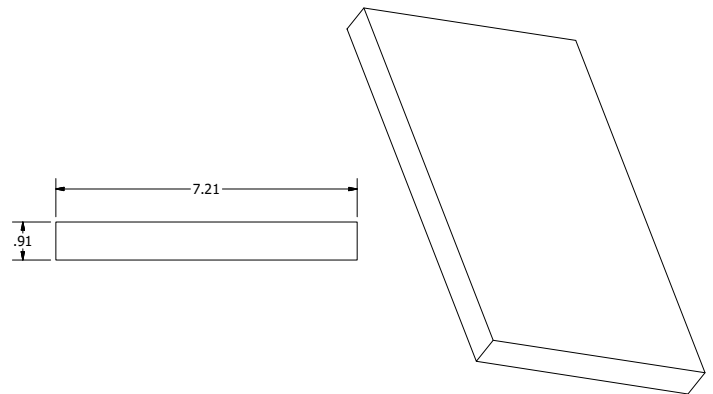
WEIGHT

Per Piece: 32 lbs.
 Per Bundle: 64 lbs.
 Per Pallet: 1920 lbs.

PACKAGING

Per Bundle: 2
 Per Pallet: 60

DRAWINGS SHOW ACTUAL DIMENSIONS



5/4 X 10 IN. SMART TRIM

Function: Textured trim board used to accent any substrate

Part Description: 5/4X10X16 ft. Smart Trim

ACTUAL DIMENSIONS

Exposure: N/A
 Overlap: N/A
 Pieces per square: N/A
 Length: 192 in.
 Width: 9.21 in.
 Height: N/A
 Min. Thickness: 0.91 in.

CONSTRUCTION

Substrate: Strand
 LP® SmartSide®
 Finish: Diamond Kote®
 Other: N/A

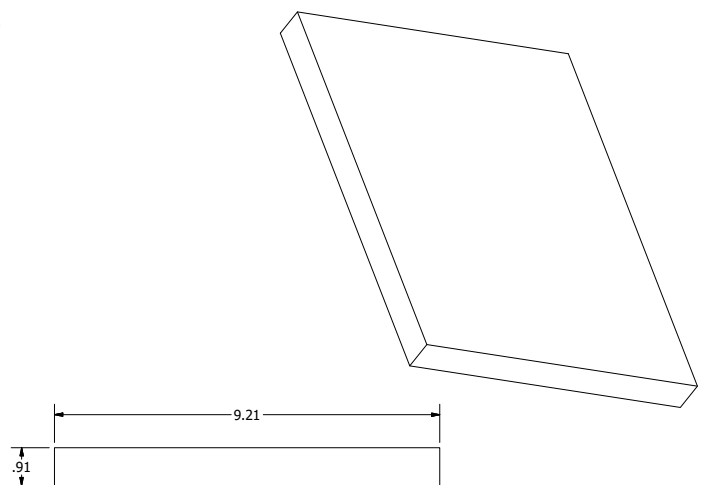
WEIGHT

Per Piece: 41 lbs.
 Per Bundle: 82 lbs.
 Per Pallet: 1640 lbs.

PACKAGING

Per Bundle: 2
 Per Pallet: 40

DRAWINGS SHOW ACTUAL DIMENSIONS



COLOR AVAILABILITY CHART
PRODUCTS: SMART TRIM - 5/4 INCH

SOLID COLORS	6 INCH	8 INCH	10 INCH
WHITE			
BISCUIT			
SAND			
OYSTER SHELL			
LIGHT GRAY			
CLAY			
PEWTER GREEN			
FRENCH GRAY			
PLATINUM			
TERRA BRONZE			
SEAL			
OLIVE			
PELICAN			
SMOKY ASH			
MOUNTAIN LAKE			
CINNABAR			
COFFEE			
CARIBOU			
MIDNIGHT			
GRAPHITE			
CLOVE			
BEIGE			
ONYX			
BEDROCK			
ELKHORN			
CANYON			
MAHOGANY			
GRIZZLY			
CHESTNUT			

 NOT AVAILABLE	 PAINTED TEXTURE & SMOOTH	 PAINTED TEXTURE
---	--	---

5/4 X 12 IN. SMART TRIM

Function: Textured trim board used to accent any substrate

Part Description: 5/4X12X16 ft. Smart Trim

ACTUAL DIMENSIONS

Exposure: N/A
Overlap: N/A
Pieces per square: N/A
Length: 192 in.
Width: 11.21 in.
Height: N/A
Min. Thickness: 0.91 in.

CONSTRUCTION

Substrate: Strand
LP® SmartSide®
Finish: Diamond Kote®
Other: N/A

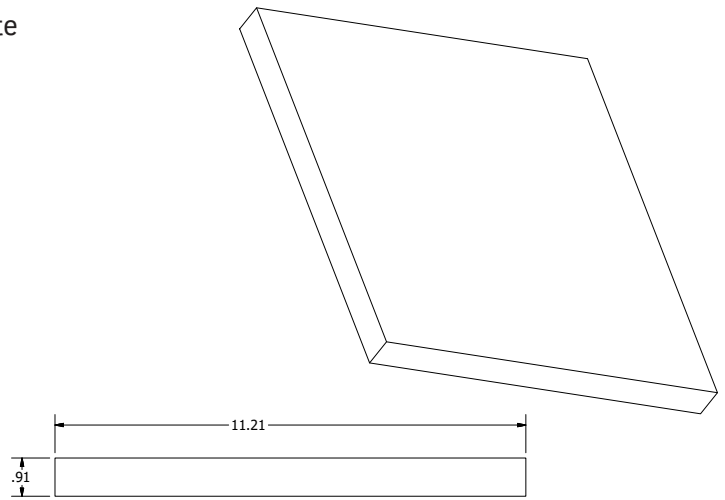
WEIGHT

Per Piece: 48.75 lbs.
Per Bundle: 97.5 lbs.
Per Pallet: 1950 lbs.

PACKAGING

Per Bundle: 2
Per Pallet: 40

DRAWINGS SHOW ACTUAL DIMENSIONS



4/4 X 2 IN. SMART TRIM

Function: Textured trim board used to accent any substrate

Part Description: 4/4X2X16 ft. Smart Trim

ACTUAL DIMENSIONS

Exposure: N/A
Overlap: N/A
Pieces per square: N/A
Length: 192 in.
Width: 1.5 in.
Height: N/A
Min. Thickness: 0.625 in.

CONSTRUCTION

Substrate: Strand
LP® SmartSide®
Finish: Diamond Kote®
Other: N/A

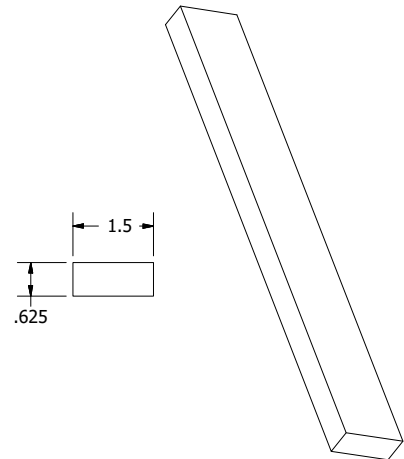
WEIGHT

Per Piece: 5.67 lbs.
Per Bundle: 5.67 lbs.
Per Pallet: 1451.52 lbs.

PACKAGING

Per Bundle: 4
Per Pallet: 256

DRAWINGS SHOW ACTUAL DIMENSIONS



4/4 X 3 IN. SMART TRIM

Function: Textured trim board used to accent any substrate

Part Description: 4/4X3X16 ft. Smart Trim

ACTUAL DIMENSIONS

Exposure: N/A
Overlap: N/A
Pieces per square: N/A
Length: 192 in.
Width: 2.5 in.
Height: N/A
Min. Thickness: 0.625 in.

CONSTRUCTION

Substrate: Strand
LP® SmartSide®
Finish: Diamond Kote®
Other: N/A

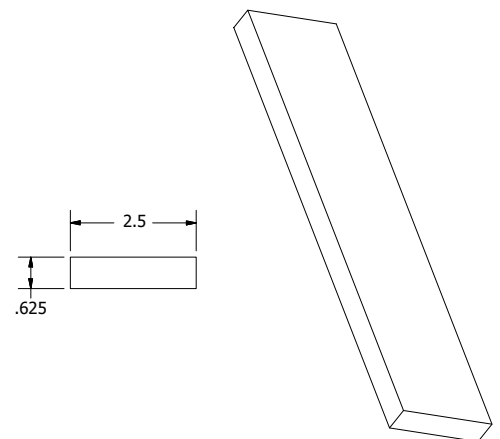
WEIGHT

Per Piece: 8.63 lbs.
Per Bundle: 8.63 lbs.
Per Pallet: 1398.06 lbs.

PACKAGING

Per Bundle: 4
Per Pallet: 162

DRAWINGS SHOW ACTUAL DIMENSIONS



COLOR AVAILABILITY CHART

PRODUCTS: SMART TRIM - 5/4 INCH & 4/4 INCH

	5/4 INCH	4/4 INCH	
SOLID COLORS	12 INCH	2 INCH	3 INCH
WHITE			
BISCUIT			
SAND			
OYSTER SHELL			
LIGHT GRAY			
CLAY			
PEWTER GREEN			
FRENCH GRAY			
PLATINUM			
TERRA BRONZE			
SEAL			
OLIVE			
PELICAN			
SMOKY ASH			
MOUNTAIN LAKE			
CINNABAR			
COFFEE			
CARIBOU			
MIDNIGHT			
GRAPHITE			
CLOVE			
BEIGE			
ONYX			
BEDROCK			
ELKHORN			
CANYON			
MAHOGANY			
GRIZZLY			
CHESTNUT			

 NOT AVAILABLE	 PAINTED TEXTURE & SMOOTH	 PAINTED TEXTURE
---	--	---

4/4 X 4 IN. SMART TRIM

Function: Textured trim board used to accent any substrate

Part Description: 4/4X4X16 ft. Smart Trim

ACTUAL DIMENSIONS

Exposure: N/A
 Overlap: N/A
 Pieces per square: N/A
 Length: 192 in.
 Width: 3.5 in.
 Height: N/A
 Min. Thickness: 0.625 in.

CONSTRUCTION

Substrate: Strand
 LP® SmartSide®
 Finish: Diamond Kote®
 Other: N/A

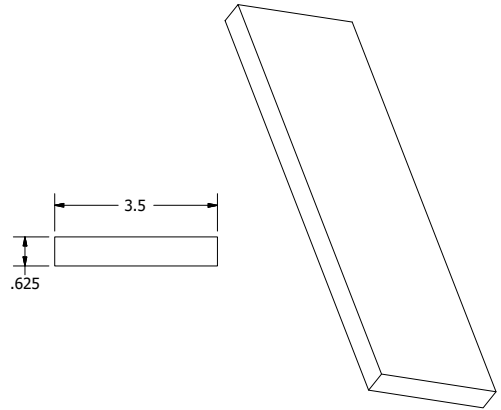
WEIGHT

Per Piece: 11.19 lbs.
 Per Bundle: 22.38 lbs.
 Per Pallet: 1342.8 lbs.

PACKAGING

Per Bundle: 2
 Per Pallet: 120

DRAWINGS SHOW ACTUAL DIMENSIONS



4/4 X 6 IN. SMART TRIM

Function: Textured trim board used to accent any substrate

Part Description: 4/4X6X16 ft. Smart Trim

ACTUAL DIMENSIONS

Exposure: N/A
 Overlap: N/A
 Pieces per square: N/A
 Length: 192 in.
 Width: 5.5 in.
 Height: N/A
 Min. Thickness: 0.625 in.

CONSTRUCTION

Substrate: Strand
 LP® SmartSide®
 Finish: Diamond Kote®
 Other: N/A

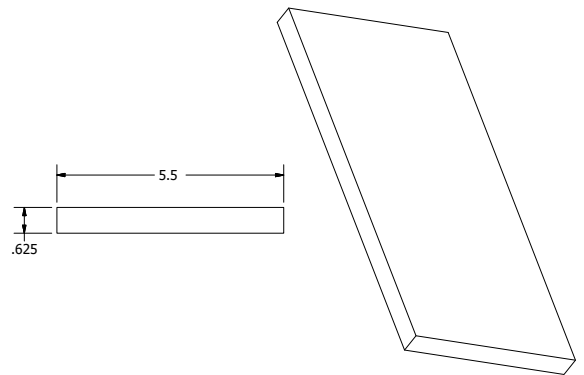
WEIGHT

Per Piece: 17.14 lbs.
 Per Bundle: 34.28 lbs.
 Per Pallet: 1199.8 lbs.

PACKAGING

Per Bundle: 2
 Per Pallet: 70

DRAWINGS SHOW ACTUAL DIMENSIONS



4/4 X 8 IN. SMART TRIM

Function: Textured trim board used to accent any substrate

Part Description: 4/4X8X16 ft. Smart Trim

ACTUAL DIMENSIONS

Exposure: N/A
 Overlap: N/A
 Pieces per square: N/A
 Length: 192 in.
 Width: 7.21 in.
 Height: N/A
 Min. Thickness: 0.625 in.

CONSTRUCTION

Substrate: Strand
 LP® SmartSide®
 Finish: Diamond Kote®
 Other: N/A

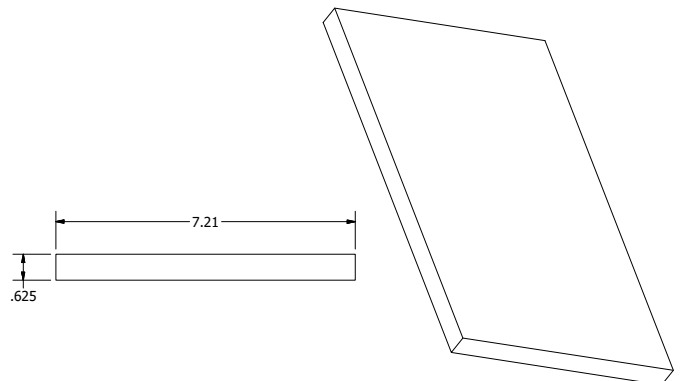
WEIGHT

Per Piece: 22.33 lbs.
 Per Bundle: 44.66 lbs.
 Per Pallet: 1339.8 lbs.

PACKAGING

Per Bundle: 2
 Per Pallet: 60

DRAWINGS SHOW ACTUAL DIMENSIONS



COLOR AVAILABILITY CHART
PRODUCTS: SMART TRIM - 4/4 INCH

SOLID COLORS	4 INCH	6 INCH	8 INCH
WHITE			
BISCUIT			
SAND			
OYSTER SHELL			
LIGHT GRAY			
CLAY			
PEWTER GREEN			
FRENCH GRAY			
PLATINUM			
TERRA BRONZE			
SEAL			
OLIVE			
PELICAN			
SMOKY ASH			
MOUNTAIN LAKE			
CINNABAR			
COFFEE			
CARIBOU			
MIDNIGHT			
GRAPHITE			
CLOVE			
BEIGE			
ONYX			
BEDROCK			
ELKHORN			
CANYON			
MAHOGANY			
GRIZZLY			
CHESTNUT			

 NOT AVAILABLE	 PAINTED TEXTURE & SMOOTH	 PAINTED TEXTURE
---	--	---

4/4 X 10 IN. SMART TRIM

Function: Textured trim board used to accent any substrate

Part Description: 4/4X10X16 ft. Smart Trim

ACTUAL DIMENSIONS

Exposure: N/A
Overlap: N/A
Pieces per square: N/A
Length: 192 in.
Width: 9.21 in.
Height: N/A
Min. Thickness: 0.625 in.

CONSTRUCTION

Substrate: Strand
LP® SmartSide®
Finish: Diamond Kote®
Other: N/A

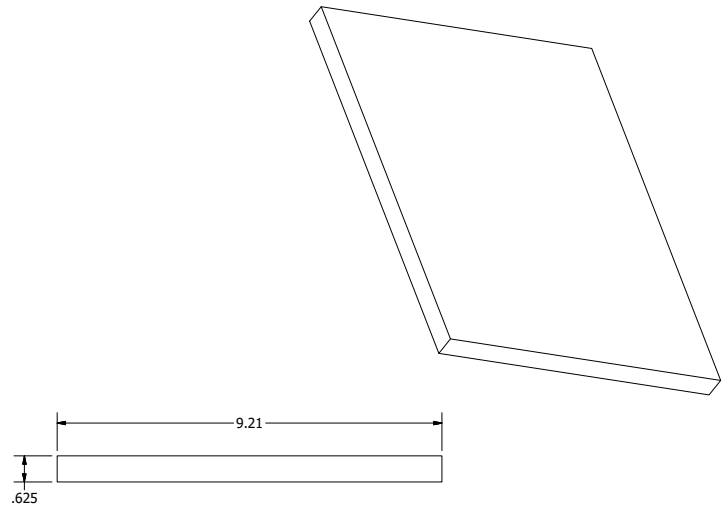
WEIGHT

Per Piece: 29 lbs.
Per Bundle: 58 lbs.
Per Pallet: 1160 lbs.

PACKAGING

Per Bundle: 2
Per Pallet: 40

DRAWINGS SHOW ACTUAL DIMENSIONS



4/4 X 12 IN. SMART TRIM

Function: Textured trim board used to accent any substrate

Part Description: 4/4X12X16 ft. Smart Trim

ACTUAL DIMENSIONS

Exposure: N/A
Overlap: N/A
Pieces per square: N/A
Length: 192 in.
Width: 11.21 in.
Height: N/A
Min. Thickness: 0.625 in.

CONSTRUCTION

Substrate: Strand
LP® SmartSide®
Finish: Diamond Kote®
Other: N/A

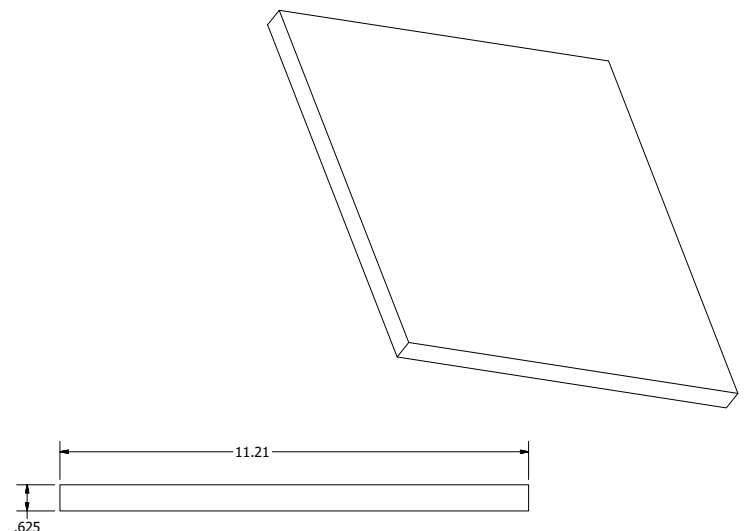
WEIGHT

Per Piece: 34.5 lbs.
Per Bundle: 69 lbs.
Per Pallet: 1380 lbs.

PACKAGING

Per Bundle: 2
Per Pallet: 40

DRAWINGS SHOW ACTUAL DIMENSIONS



COLOR AVAILABILITY CHART
PRODUCTS: SMART TRIM - 4/4 INCH

SOLID COLORS	10 INCH	12 INCH
WHITE		
BISCUIT		
SAND		
OYSTER SHELL		
LIGHT GRAY		
CLAY		
PEWTER GREEN		
FRENCH GRAY		
PLATINUM		
TERRA BRONZE		
SEAL		
OLIVE		
PELICAN		
SMOKY ASH		
MOUNTAIN LAKE		
CINNABAR		
COFFEE		
CARIBOU		
MIDNIGHT		
GRAPHITE		
CLOVE		
BEIGE		
ONYX		
BEDROCK		
ELKHORN		
CANYON		
MAHOGANY		
GRIZZLY		
CHESTNUT		

 NOT AVAILABLE	 PAINTED TEXTURE & SMOOTH	 PAINTED TEXTURE
---	--	---

4 IN. ARCH TRIM

Function: Premade trim for arched, elliptical or circular windows, doors or other openings

Part Description: 4 in. Arch Trim

ACTUAL DIMENSIONS

Exposure: N/A
Overlap: N/A
Pieces per square: N/A
Length: Variable
Width: 3.5 in.
Height: Variable
Min. Thickness: 0.91 in.

CONSTRUCTION

Substrate: Strand
LP® SmartSide®
Finish: Diamond Kote®
Other: N/A

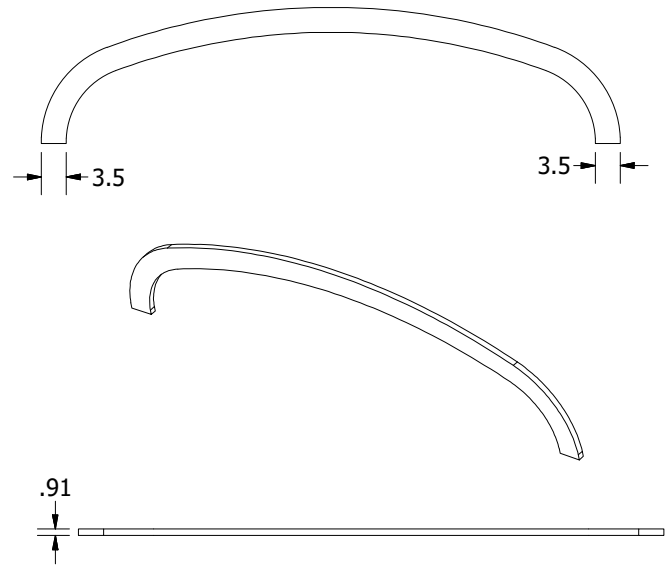
WEIGHT

Per Piece: Variable
0.95 Lbs / Lineal Foot
Per Bundle: N/A
Per Pallet: N/A

PACKAGING

Per Bundle: 1 Each
Per Carton: N/A

DRAWINGS SHOW ACTUAL DIMENSIONS



6 IN. ARCH TRIM

Function: Premade trim for arched, elliptical or circular windows, doors or other openings

Part Description: 6 in. Arch Trim

ACTUAL DIMENSIONS

Exposure: N/A
Overlap: N/A
Pieces per square: N/A
Length: Variable
Width: 5.5 in.
Height: Variable
Min. Thickness: 0.91 in.

CONSTRUCTION

Substrate: Strand
LP® SmartSide®
Finish: Diamond Kote®
Other: N/A

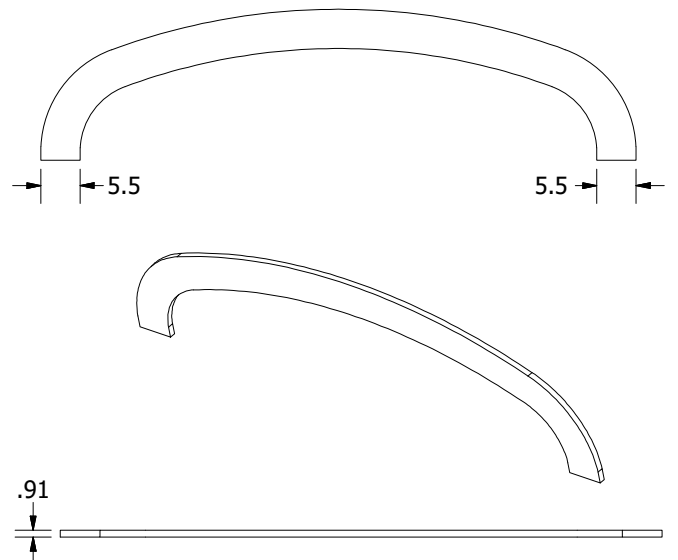
WEIGHT

Per Piece: Variable
1.52 Lbs / Lineal Foot
Per Bundle: N/A
Per Pallet: N/A

PACKAGING

Per Bundle: 1 Each
Per Carton: N/A

DRAWINGS SHOW ACTUAL DIMENSIONS



COLOR AVAILABILITY CHART
PRODUCTS: ARCH TRIM

SOLID COLORS	4 INCH	6 INCH
WHITE		
BISCUIT		
SAND		
OYSTER SHELL		
LIGHT GRAY		
CLAY		
PEWTER GREEN		
FRENCH GRAY		
PLATINUM		
TERRA BRONZE		
SEAL		
OLIVE		
PELICAN		
SMOKY ASH		
MOUNTAIN LAKE		
CINNABAR		
COFFEE		
CARIBOU		
MIDNIGHT		
GRAPHITE		
CLOVE		
BEIGE		
ONYX		
BEDROCK		
ELKHORN		
CANYON		
MAHOGANY		
GRIZZLY		
CHESTNUT		

 NOT AVAILABLE	 PAINTED TEXTURE & SMOOTH	 PAINTED TEXTURE
---	--	---

4 IN. KEYSTONE

Function: Accent piece used with lineal trim on arched, circular windows, doors or other straight trim openings

Part Description: 4 in. Keystone

ACTUAL DIMENSIONS

Exposure: N/A
Overlap: N/A
Pieces per square: N/A
Length: N/A
Width: 5.5 in.
Height: 4.5 in.
Min. Thickness: 0.91 in.

CONSTRUCTION

Substrate: Strand
LP® SmartSide®
Finish: Diamond Kote®
Other: N/A

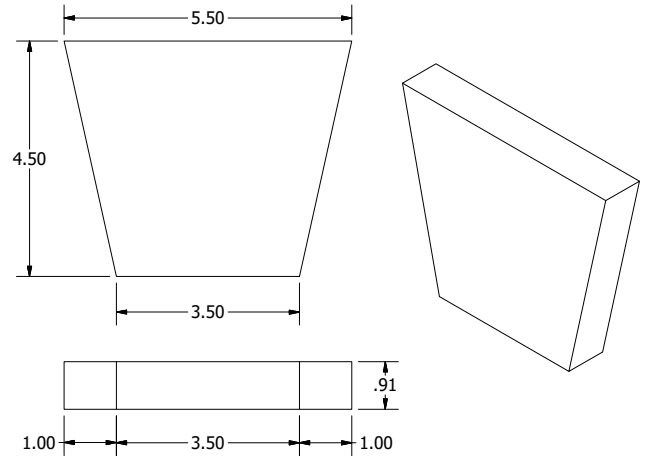
WEIGHT

Per Piece: 0.2 lbs.
Per Bundle: 0.2 lbs.
Per Pallet: N/A lbs.

PACKAGING

Per Bundle: 1 Each
Per Carton: N/A

DRAWINGS SHOW ACTUAL DIMENSIONS



6 IN. KEYSTONE

Function: Accent piece used with lineal trim on arched, circular windows, doors or other straight trim openings

Part Description: 6 in. Keystone

ACTUAL DIMENSIONS

Exposure: N/A
Overlap: N/A
Pieces per square: N/A
Length: N/A
Width: 7.5 in.
Height: 6.5 in.
Min. Thickness: 0.91 in.

CONSTRUCTION

Substrate: Strand
LP® SmartSide®
Finish: Diamond Kote®
Other: N/A

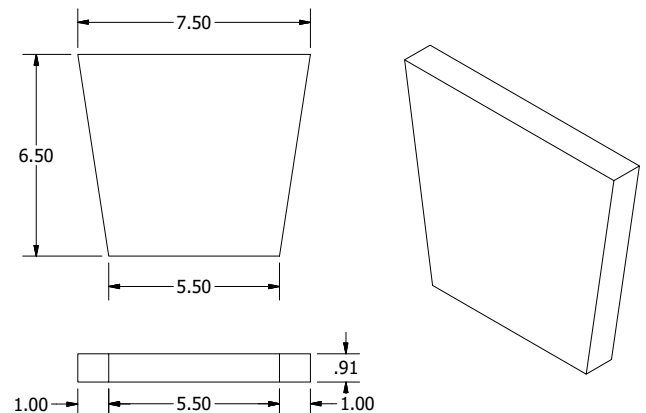
WEIGHT

Per Piece: 1 lbs.
Per Bundle: 1 lbs.
Per Pallet: N/A

PACKAGING

Per Bundle: 1 Each
Per Carton: N/A

DRAWINGS SHOW ACTUAL DIMENSIONS



COLOR AVAILABILITY CHART
PRODUCTS: KEYSTONE

SOLID COLORS	4 INCH	6 INCH
WHITE		
BISCUIT		
SAND		
OYSTER SHELL		
LIGHT GRAY		
CLAY		
PEWTER GREEN		
FRENCH GRAY		
PLATINUM		
TERRA BRONZE		
SEAL		
OLIVE		
PELICAN		
SMOKY ASH		
MOUNTAIN LAKE		
CINNABAR		
COFFEE		
CARIBOU		
MIDNIGHT		
GRAPHITE		
CLOVE		
BEIGE		
ONYX		
BEDROCK		
ELKHORN		
CANYON		
MAHOGANY		
GRIZZLY		
CHESTNUT		

 NOT AVAILABLE	 PAINTED TEXTURE & SMOOTH	 PAINTED TEXTURE
---	--	---

4X4 PRO-POST WRAP™

DRAWINGS SHOW ACTUAL DIMENSIONS

Function: Decorative wrap for use on porches and decks around structural and non-structural items

Part Description: Pro-Post Wrap 4X4 12 ft. LP Ced 4Pc+Glue Kit

ACTUAL DIMENSIONS

Exposure: N/A
 Overlap: N/A
 Pieces per square: N/A
 Length: 144 in.
 Width: 5.075 in.
 Height: 5.075 in.
 Min. Thickness: 0.53 in.

CONSTRUCTION

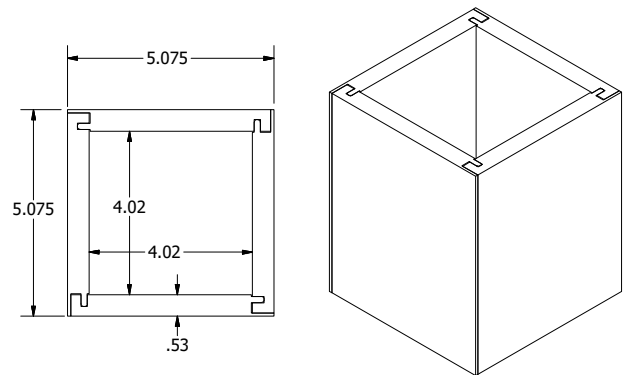
Substrate: Strand
 LP® SmartSide®
 Finish: Diamond Kote®
 Other: Glue Kit Included

WEIGHT

Per Piece: N/A
 Per Bundle: 35 lbs.
 Per Pallet: 1050 lbs.

PACKAGING

Per Bundle: 1
 Per Pallet: 30



4X6 PRO-POST WRAP™

DRAWINGS SHOW ACTUAL DIMENSIONS

Function: Decorative wrap for use on porches and decks around structural and non-structural items

Part Description: Pro-Post Wrap 4X6 12 ft. LP Ced 4Pc+Glue Kit

ACTUAL DIMENSIONS

Exposure: N/A
 Overlap: N/A
 Pieces per square: N/A
 Length: 144 in.
 Width: 7.075 in.
 Height: 5.075 in.
 Min. Thickness: 0.53 in.

CONSTRUCTION

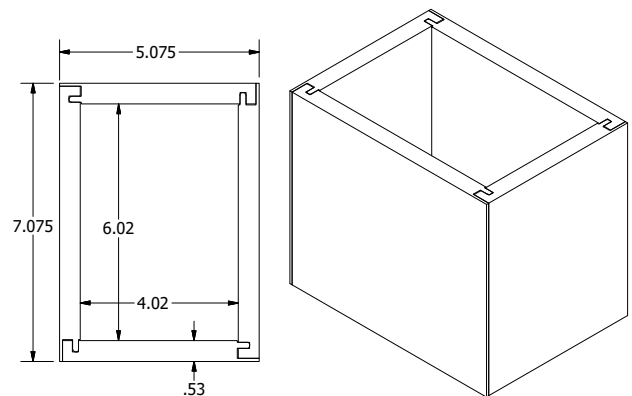
Substrate: Strand
 LP® SmartSide®
 Finish: Diamond Kote®
 Other: Glue Kit Included

WEIGHT

Per Piece: N/A
 Per Bundle: 42
 Per Pallet: 1134

PACKAGING

Per Bundle: 1
 Per Pallet: N/A



6X6 PRO-POST WRAP™

DRAWINGS SHOW ACTUAL DIMENSIONS

Function: Decorative wrap for use on porches and decks around structural and non-structural items

Part Description: Pro-Post Wrap 6X6 12 ft. LP Ced 4Pc+Glue Kit

ACTUAL DIMENSIONS

Exposure: N/A
 Overlap: N/A
 Pieces per square: N/A
 Length: 144 in.
 Width: 7.075 in.
 Height: 7.075 in.
 Min. Thickness: 0.53 in.

CONSTRUCTION

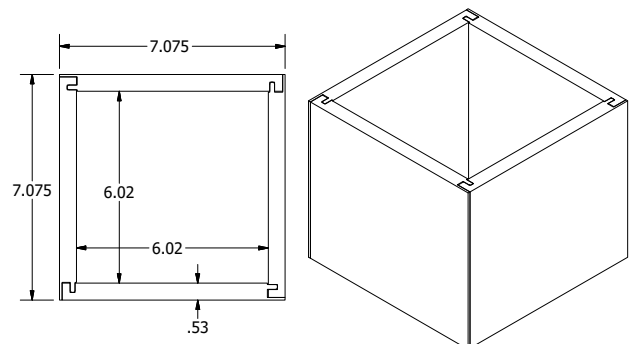
Substrate: Strand
 LP® SmartSide®
 Finish: Diamond Kote®
 Other: Glue Kit Included

WEIGHT

Per Piece: N/A
 Per Bundle: 49 lbs.
 Per Pallet: 1176 lbs.

PACKAGING

Per Bundle: 1
 Per Pallet: 24



COLOR AVAILABILITY CHART
PRODUCTS: PRO-POST WRAP™

SOLID COLORS	4X4	4X6	6X6
WHITE			
BISCUIT			
SAND			
OYSTER SHELL			
LIGHT GRAY			
CLAY			
PEWTER GREEN			
FRENCH GRAY			
PLATINUM			
TERRA BRONZE			
SEAL			
OLIVE			
PELICAN			
SMOKY ASH			
MOUNTAIN LAKE			
CINNABAR			
COFFEE			
CARIBOU			
MIDNIGHT			
GRAPHITE			
CLOVE			
BEIGE			
ONYX			
BEDROCK			
ELKHORN			
CANYON			
MAHOGANY			
GRIZZLY			
CHESTNUT			

 NOT AVAILABLE	 PAINTED TEXTURE & SMOOTH	 PAINTED TEXTURE
---	--	---

6 IN. PLOWED FASCIA

Function: Textured fascia to complete soffit system, covers 4" sub-fascia

Part Description: Fascia 6 in. Plow 4/4 Smart Ced

ACTUAL DIMENSIONS

Exposure: N/A
Overlap: N/A
Pieces per square: N/A
Length: 192 in.
Width: 5.5 in.
Height: N/A
Min. Thickness: 0.625 in.

CONSTRUCTION

Substrate: Strand
LP® SmartSide®
Finish: Diamond Kote®
Other: N/A

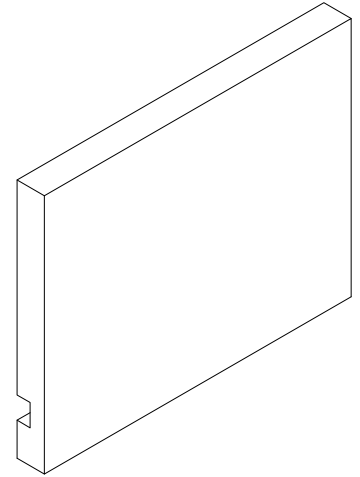
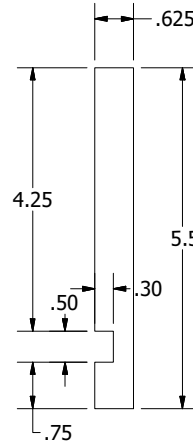
WEIGHT

Per Piece: 16.66
Per Bundle: 33.32
Per Pallet: 1166

PACKAGING

Per Bundle: 2
Per Pallet: 70

DRAWINGS SHOW ACTUAL DIMENSIONS



8 IN. PLOWED FASCIA

Function: Textured fascia to complete soffit system, covers 6" sub-fascia

Part Description: Fascia 8 in. Plow 4/4 Smart Ced

ACTUAL DIMENSIONS

Exposure: N/A
Overlap: N/A
Pieces per square: N/A
Length: 192 in.
Width: 7.21 in.
Height: N/A
Min. Thickness: 0.625 in.

CONSTRUCTION

Substrate: Strand
LP® SmartSide®
Finish: Diamond Kote®
Other: N/A

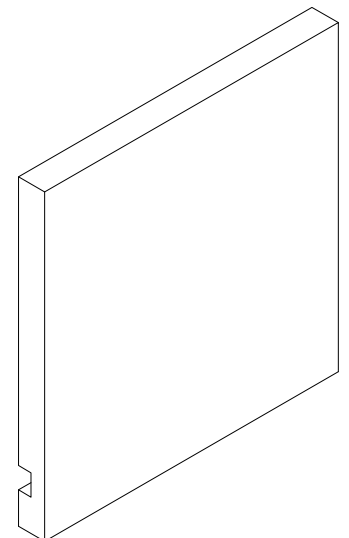
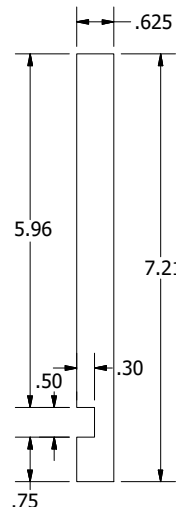
WEIGHT

Per Piece: 22 lbs.
Per Bundle: 44 lbs.
Per Pallet: 1320 lbs.

PACKAGING

Per Bundle: 2
Per Pallet: 60

DRAWINGS SHOW ACTUAL DIMENSIONS



COLOR AVAILABILITY CHART
PRODUCTS: PLOWED FASCIA

SOLID COLORS	6 INCH	8 INCH
WHITE		
BISCUIT		
SAND		
OYSTER SHELL		
LIGHT GRAY		
CLAY		
PEWTER GREEN		
FRENCH GRAY		
PLATINUM		
TERRA BRONZE		
SEAL		
OLIVE		
PELICAN		
SMOKY ASH		
MOUNTAIN LAKE		
CINNABAR		
COFFEE		
CARIBOU		
MIDNIGHT		
GRAPHITE		
CLOVE		
BEIGE		
ONYX		
BEDROCK		
ELKHORN		
CANYON		
MAHOGANY		
GRIZZLY		
CHESTNUT		

 NOT AVAILABLE	 PAINTED TEXTURE & SMOOTH	 PAINTED TEXTURE
---	--	---

4X8 NO GROOVE SOFFIT

Function: Textured soffit panels for porches and large overhangs

Part Description: 4X8 3/8 in. Smart Soffit Ced No Groove

ACTUAL DIMENSIONS

Exposure: 47.875 in.
Overlap: N/A
Pieces per square: 3.125 in.
Length: 96 in.
Width: 47.875 in.
Height: N/A
Min. Thickness: 0.315 in.

CONSTRUCTION

Substrate: Strand
LP® SmartSide®
Finish: Diamond Kote®
Other: N/A

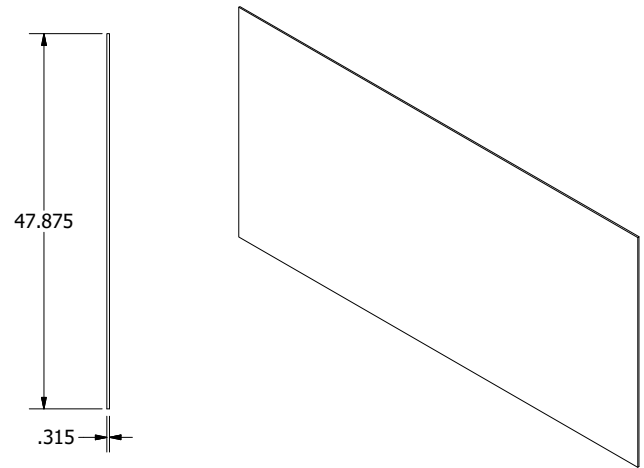
WEIGHT

Per Piece: 41.78 lbs.
Per Bundle: N/A
Per Pallet: 1880.1 lbs.

PACKAGING

Per Bundle: 1 Each
Per Pallet: 45

DRAWINGS SHOW ACTUAL DIMENSIONS



10 FT SOFFIT CHANNEL

Function: Channel provides cover and concealment of the required expansion gap on LP® SmartSide® Soffit

Part Description: 1-1/2 in x 10 ft. WG Soffit Channel

ACTUAL DIMENSIONS

Exposure: 120 in.
Overlap: N/A
Pieces per square: N/A
Length: 120 in.
Width: 1.5 in.
Height: N/A
Min. Thickness: 0.019 in.

CONSTRUCTION

Substrate: Aluminium
Finish: Coordinating Color
Matches
Other: N/A

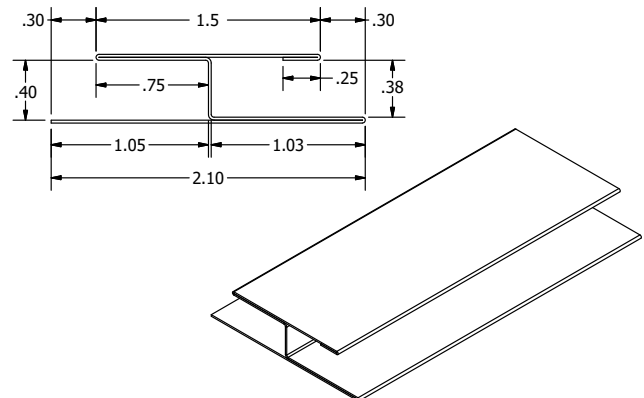
WEIGHT

Per Piece: 1.3 lbs.
Per Carton: 13 lbs.
Per Pallet: 820 lbs.

PACKAGING

Per Carton: 10 pcs
Per Pallet: 630 pcs

DRAWINGS SHOW ACTUAL DIMENSIONS



COLOR AVAILABILITY CHART

PRODUCTS: NO GROOVE SOFFIT & 10 FT SOFFIT CHANNEL

	NO GROOVE SOFFIT	SOFFIT CHANNEL
SOLID COLORS	4X8	10 FT
WHITE		
BISCUIT		
SAND		
OYSTER SHELL		
LIGHT GRAY		
CLAY		
PEWTER GREEN		
FRENCH GRAY		
PLATINUM		
TERRA BRONZE		
SEAL		
OLIVE		
PELICAN		
SMOKY ASH		
MOUNTAIN LAKE		
CINNABAR		
COFFEE		
CARIBOU		
MIDNIGHT		
GRAPHITE		
CLOVE		
BEIGE		
ONYX		
BEDROCK		
ELKHORN		
CANYON		
MAHOGANY		
GRIZZLY		
CHESTNUT		

 NOT AVAILABLE	 PAINTED TEXTURE	 COORDINATING COLOR
---	---	--

12 IN. SOFFIT VENTED

Function: Soffit panel when venting is required
 Part Description: 12X16 ft. 3/8 in. Smart Vented Soffit

ACTUAL DIMENSIONS

Exposure: N/A
 Overlap: N/A
 Pieces per square: N/A
 Ventilation: 10 Net Free Air,
 10 sq. In. / Lin. Ft.
 Length: 192 in.
 Width: 11.94 in.
 Height: N/A
 Min. Thickness: 0.315 in.

CONSTRUCTION

Substrate: Strand
 LP® SmartSide®
 Finish: Diamond Kote®
 Other: N/A

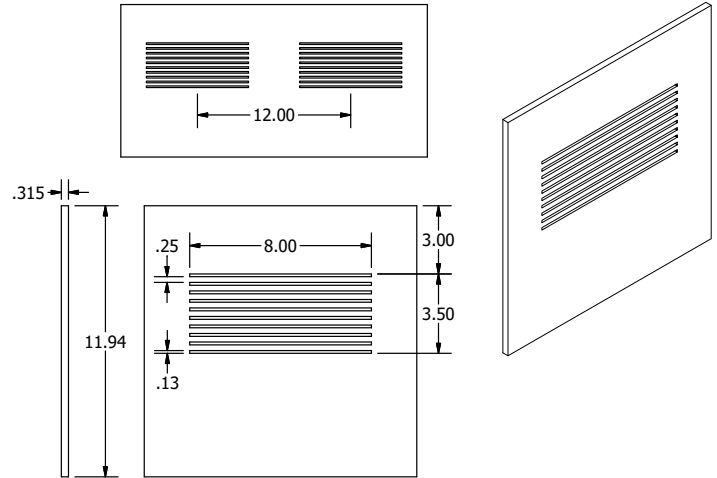
WEIGHT

Per Piece: 22.05 lbs.
 Per Bundle: N/A
 Per Pallet: 1940.4 lbs.

PACKAGING

Per Bundle: 1 Each
 Per Pallet: 88

DRAWINGS SHOW ACTUAL DIMENSIONS



16 IN. SOFFIT VENTED

Function: Soffit panel when venting is required
 Part Description: 16X16 ft. 3/8 in. Smart Vented Soffit

ACTUAL DIMENSIONS

Exposure: N/A
 Overlap: N/A
 Pieces per square: N/A
 Ventilation: 10 Net Free Air,
 10 sq. In. / Lin. Ft.
 Length: 192 in.
 Width: 15.94 in.
 Height: N/A
 Min. Thickness: 0.315 in.

CONSTRUCTION

Substrate: Strand
 LP® SmartSide®
 Finish: Diamond Kote®
 Other: N/A

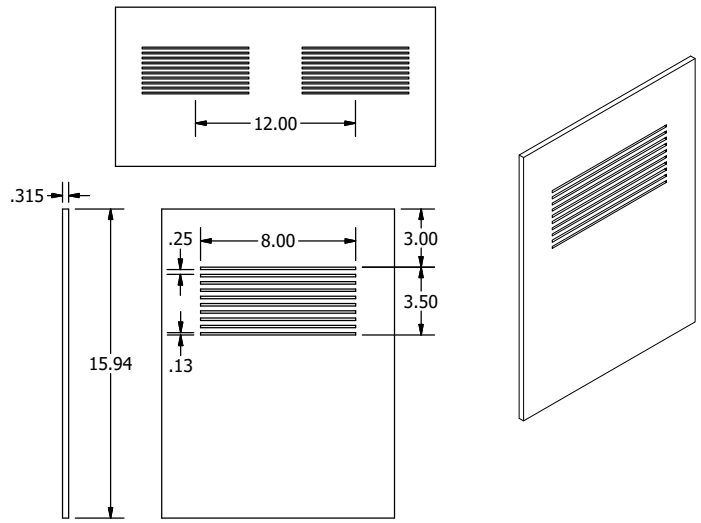
WEIGHT

Per Piece: 29.4 lbs.
 Per Bundle: N/A
 Per Pallet: 1940.4 lbs.

PACKAGING

Per Bundle: 1 Each
 Per Pallet: 66

DRAWINGS SHOW ACTUAL DIMENSIONS



24 IN. SOFFIT VENTED

Function: Soffit panel when venting is required
 Part Description: 24X16 ft. 3/8 in. Smart Vented Soffit

ACTUAL DIMENSIONS

Exposure: N/A
 Overlap: N/A
 Pieces per square: N/A
 Ventilation: 10 Net Free Air,
 10 sq. In. / Lin. Ft.
 Length: 192 in.
 Width: 23.94 in.
 Height: N/A
 Min. Thickness: 0.315 in.

CONSTRUCTION

Substrate: Strand
 LP® SmartSide®
 Finish: Diamond Kote®
 Other: N/A

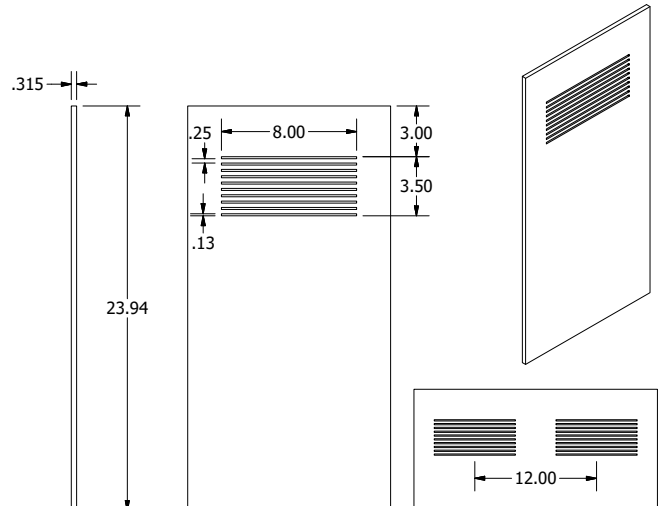
WEIGHT

Per Piece: 42.73 lbs.
 Per Bundle: N/A
 Per Pallet: 1880.12 lbs.

PACKAGING

Per Bundle: 1 Each
 Per Pallet: 44

DRAWINGS SHOW ACTUAL DIMENSIONS



COLOR AVAILABILITY CHART
PRODUCTS: SOFFIT - VENTED

SOLID COLORS	12 INCH	16 INCH	24 INCH
WHITE			
BISCUIT			
SAND			
OYSTER SHELL			
LIGHT GRAY			
CLAY			
PEWTER GREEN			
FRENCH GRAY			
PLATINUM			
TERRA BRONZE			
SEAL			
OLIVE			
PELICAN			
SMOKY ASH			
MOUNTAIN LAKE			
CINNABAR			
COFFEE			
CARIBOU			
MIDNIGHT			
GRAPHITE			
CLOVE			
BEIGE			
ONYX			
BEDROCK			
ELKHORN			
CANYON			
MAHOGANY			
GRIZZLY			
CHESTNUT			

 NOT AVAILABLE	 PAINTED TEXTURE & SMOOTH	 PAINTED TEXTURE
---	--	---

12 IN. SOFFIT SOLID

Function: Soffit panel when venting is not necessary

Part Description: 12X16 ft. 3/8 in. Smart Cedar Solid Soffit

ACTUAL DIMENSIONS

Exposure: N/A
 Overlap: N/A
 Pieces per square: N/A
 Length: 192 in.
 Width: 11.94 in.
 Height: N/A
 Min. Thickness: 0.315 in.

CONSTRUCTION

Substrate: Strand
 LP® SmartSide®
 Finish: Diamond Kote®
 Other: N/A

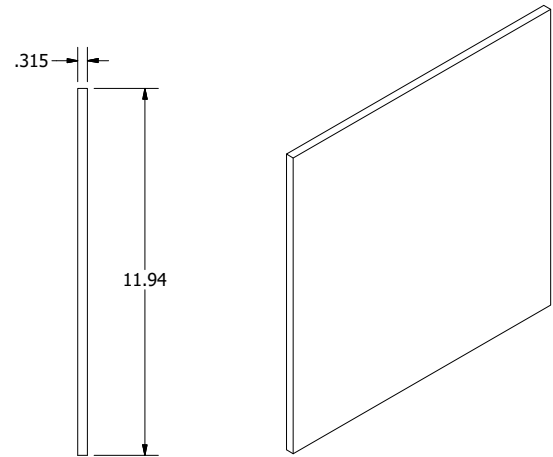
WEIGHT

Per Piece: 23.38 lbs.
 Per Bundle: N/A
 Per Pallet: 2057.44 lbs.

PACKAGING

Per Bundle: 1 Each
 Per Pallet: 88

DRAWINGS SHOW ACTUAL DIMENSIONS



16 IN. SOFFIT SOLID

Function: Soffit panel when venting is not necessary

Part Description: 16X16 ft. 3/8 in. Smart Cedar Solid Soffit

ACTUAL DIMENSIONS

Exposure: N/A
 Overlap: N/A
 Pieces per square: N/A
 Length: 192 in.
 Width: 15.94 in.
 Height: N/A
 Min. Thickness: 0.315 in.

CONSTRUCTION

Substrate: Strand
 LP® SmartSide®
 Finish: Diamond Kote®
 Other: N/A

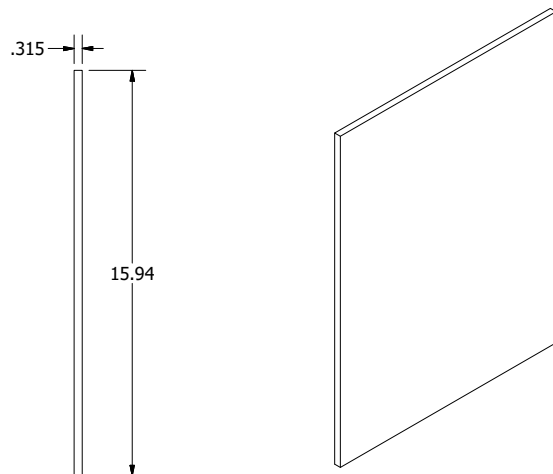
WEIGHT

Per Piece: 30.15 lbs.
 Per Bundle: N/A
 Per Pallet: 1989.9 lbs.

PACKAGING

Per Bundle: 1 Each
 Per Pallet: 66

DRAWINGS SHOW ACTUAL DIMENSIONS



24 IN. SOFFIT SOLID

Function: Soffit panel when venting is not necessary

Part Description: 24X16 ft. 3/8 in. Smart Cedar Solid Soffit

ACTUAL DIMENSIONS

Exposure: N/A
 Overlap: N/A
 Pieces per square: N/A
 Length: 192 in.
 Width: 23.94 in.
 Height: N/A
 Min. Thickness: 0.315 in.

CONSTRUCTION

Substrate: Strand
 LP® SmartSide®
 Finish: Diamond Kote®
 Other: N/A

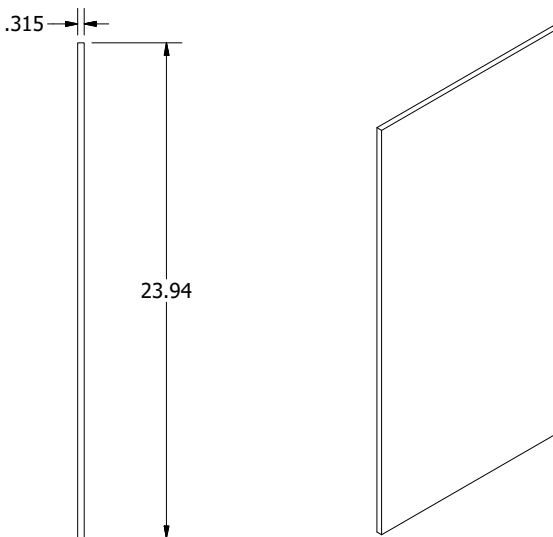
WEIGHT

Per Piece: 46.18 lbs.
 Per Bundle: N/A
 Per Pallet: 2031.92 lbs.

PACKAGING

Per Bundle: 1 Each
 Per Pallet: 44

DRAWINGS SHOW ACTUAL DIMENSIONS



COLOR AVAILABILITY CHART
PRODUCTS: SOFFIT - SOLID

SOLID COLORS	12 INCH	16 INCH	24 INCH
WHITE			
BISCUIT			
SAND			
OYSTER SHELL			
LIGHT GRAY			
CLAY			
PEWTER GREEN			
FRENCH GRAY			
PLATINUM			
TERRA BRONZE			
SEAL			
OLIVE			
PELICAN			
SMOKY ASH			
MOUNTAIN LAKE			
CINNABAR			
COFFEE			
CARIBOU			
MIDNIGHT			
GRAPHITE			
CLOVE			
BEIGE			
ONYX			
BEDROCK			
ELKHORN			
CANYON			
MAHOGANY			
GRIZZLY			
CHESTNUT			

 NOT AVAILABLE	 PAINTED TEXTURE & SMOOTH	 PAINTED TEXTURE
---	--	---

DIVERTER FLASHING

DRAWINGS SHOW ACTUAL DIMENSIONS

Function: Diverts roof water runoff away from siding to roof intersections

Part Description: Dryfлект Diverter Flash Poly 6X6X14.5

ACTUAL DIMENSIONS

Exposure: N/A
 Overlap: N/A
 Pieces per square: N/A
 Length: 14.5 in.
 Width: 6 in.
 Height: 6 in.
 Min. Thickness: 0.125

CONSTRUCTION

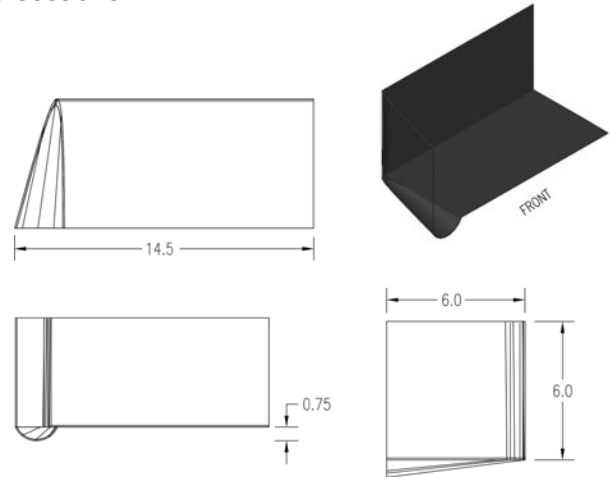
Substrate: Thermoplastic Polyolefin (TPO)
 Finish: Through Molded Color

WEIGHT

Per Piece: 0.56 lbs.
 Per Carton: 14 lbs.
 Per Pallet: N/A

PACKAGING

Per Bundle: 1 Each
 Per Carton: 25



DRIP CAP

DRAWINGS SHOW ACTUAL DIMENSIONS

Function: Protects top edge of horizontal trims against water penetration

Part Description: 1 in.X10/0 Drip Cap Sm Alum

ACTUAL DIMENSIONS

Exposure: 0.31 in.
 Overlap: N/A
 Pieces per square: N/A
 Length: 120 in.
 Width: 1.00 in.
 Height: 1.84 in.
 Min. Thickness: 0.019 in.

CONSTRUCTION

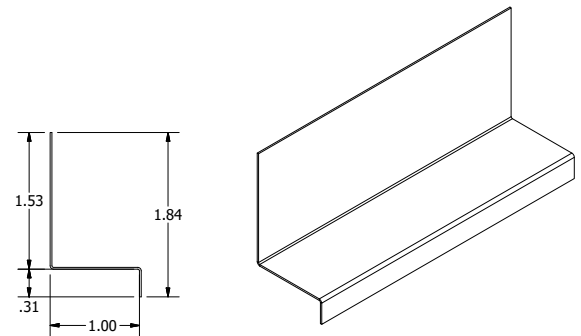
Substrate: Aluminium
 Finish: Coordinating color matches

WEIGHT

Per Piece: 0.70 lbs.
 Per Carton: 17.5 lbs.
 Per Pallet: 735 lbs.

PACKAGING

Per Carton: 25
 Per Pallet: 1050



SPACER FLASHING

DRAWINGS SHOW ACTUAL DIMENSIONS

Function: Spacer used to keep siding and trim products the required distance away from roof lines or decking

Part Description: 1 in.x2 in. 10 ft. Spacer Flash

ACTUAL DIMENSIONS

Exposure: 2 in.
 Overlap: N/A
 Pieces per square: N/A
 Length: 120 in.
 Width: 1 in.
 Height: 4 in.
 Min. Thickness: 0.019 in.

CONSTRUCTION

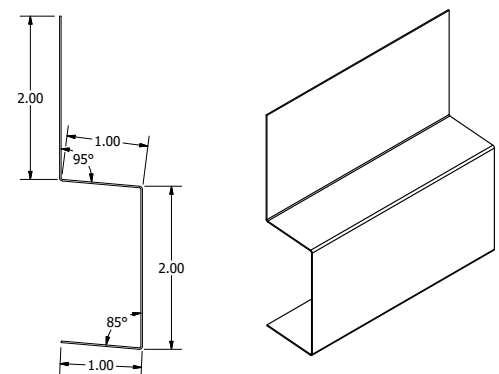
Substrate: Woodgrain Embossed Aluminium
 Finish: Coordinating color matches

WEIGHT

Per Piece: 1.10 lbs.
 Per Carton: 11 lbs.
 Per Pallet: N/A

PACKAGING

Per Carton: 10
 Per Pallet: N/A



COLOR AVAILABILITY CHART
PRODUCTS: FLASHINGS

SOLID COLORS	DIVERTER	DRIP CAP	SPACER
WHITE			
BISCUIT			
SAND			
OYSTER SHELL			
LIGHT GRAY			
CLAY			
PEWTER GREEN			
FRENCH GRAY			
PLATINUM			
TERRA BRONZE			
SEAL			
OLIVE			
PELICAN			
SMOKY ASH			
MOUNTAIN LAKE			
CINNABAR			
COFFEE			
CARIBOU			
MIDNIGHT			
GRAPHITE			
CLOVE			
BEIGE			
ONYX			
BEDROCK			
ELKHORN			
CANYON			
MAHOGANY			
GRIZZLY			
CHESTNUT			

 NOT AVAILABLE	 COLOR MATCH	 COORDINATING COLOR
---	---	--

BRICK LEDGE FLASHING

Function: Flashing used above stone or brick sills when transitioning to a different cladding

Part Description: 2 in.x10 ft. Brick Ledge Flash

ACTUAL DIMENSIONS

Exposure: 2.38 in.
Overlap: N/A
Pieces per square: N/A
Length: 120 in.
Width: N/A
Height: 2.12 in.
Min. Thickness: 0.019 in.

CONSTRUCTION

Substrate: Aluminium
Finish: Coordinating color matches

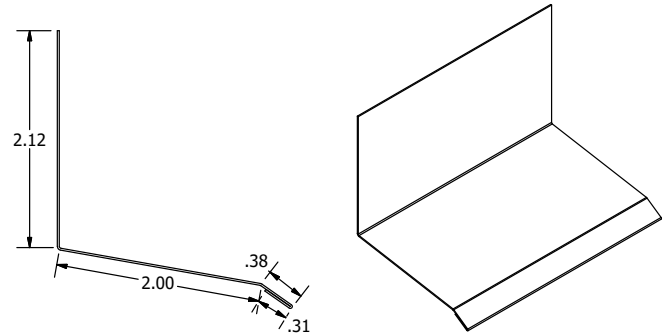
WEIGHT

Per Piece: 1.10 lbs.
Per Carton: 11 lbs.
Per Pallet: N/A

PACKAGING

Per Carton: 10
Per Pallet: N/A

DRAWINGS SHOW ACTUAL DIMENSIONS



Z-FLASH

Function: Protects top edge of horizontal panel joints against water penetration

Part Description: 7/16 in. X 10/0 Z Flash Sm Alum

ACTUAL DIMENSIONS

Exposure: 0.31 in.
Overlap: N/A
Pieces per square: N/A
Length: 120 in.
Width: 0.44 in.
Height: 2.41 in.
Min. Thickness: 0.019 in.

CONSTRUCTION

Substrate: Aluminium
Finish: Coordinating color matches

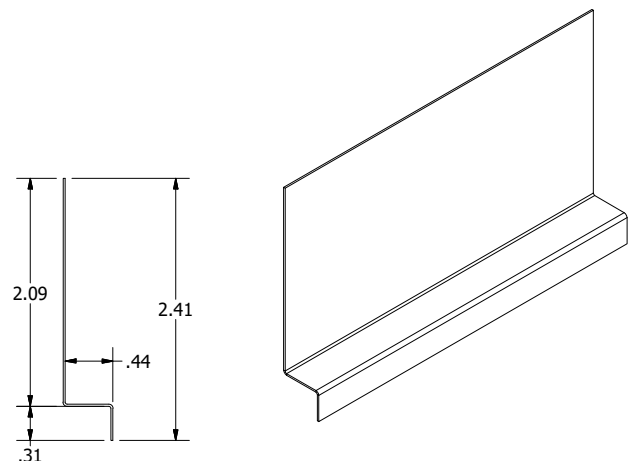
WEIGHT

Per Piece: 0.70 lbs.
Per Carton: 17.5 lbs.
Per Pallet: 735 lbs.

PACKAGING

Per Carton: 25
Per Pallet: 1050

DRAWINGS SHOW ACTUAL DIMENSIONS



COLOR AVAILABILITY CHART

PRODUCTS: FLASHINGS

SOLID COLORS	BRICK LEDGE	Z-FLASH
WHITE		
BISCUIT		
SAND		
OYSTER SHELL		
LIGHT GRAY		
CLAY		
PEWTER GREEN		
FRENCH GRAY		
PLATINUM		
TERRA BRONZE		
SEAL		
OLIVE		
PELICAN		
SMOKY ASH		
MOUNTAIN LAKE		
CINNABAR		
COFFEE		
CARIBOU		
MIDNIGHT		
GRAPHITE		
CLOVE		
BEIGE		
ONYX		
BEDROCK		
ELKHORN		
CANYON		
MAHOGANY		
GRIZZLY		
CHESTNUT		



NOT AVAILABLE



COLOR MATCH



COORDINATING COLOR

J-CHANNEL

Function: Caps siding cuts in gable ends when F-Channel design does not allow for easy caulking

Part Description: 7/8 in. J Chan Smooth 10 ft.

ACTUAL DIMENSIONS

Exposure: 0.63 in.
Overlap: N/A
Pieces per square: N/A
Length: 120 in.
Width: 0.88 in.
Height: 1.38 in.
Min. Thickness: 0.019 in.

CONSTRUCTION

Substrate: Aluminium
Finish: Coordinating color matches
Other: N/A

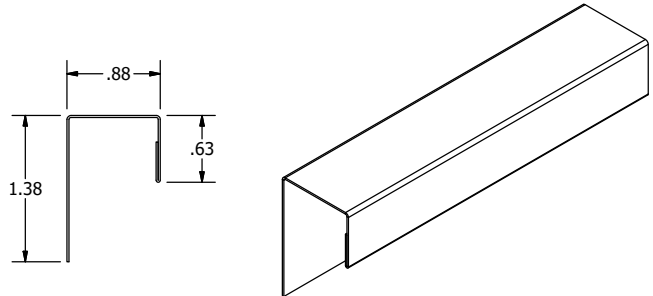
WEIGHT

Per Piece: 0.78 lbs.
Per Carton: 19.5 lbs.
Per Pallet: N/A

PACKAGING

Per Carton: 25
Per Pallet: 100

DRAWINGS SHOW ACTUAL DIMENSIONS



TRIM COIL

Function: For bending custom metal accessories on site

Part Description: 24x50 Smooth Trim Coil

ACTUAL DIMENSIONS

Exposure: N/A
Overlap: N/A
Pieces per square: N/A
Length: 50 ft.
Width: 24 in.
Height: N/A
Min. Thickness: 0.019 in.

CONSTRUCTION

Substrate: Aluminium
Finish: Coordinating color matches

WEIGHT

Per Piece: 25 lbs.
Per Carton: 25 lbs.
Per Pallet: 1200 lbs.

PACKAGING

Per Carton: 1
Per Pallet: 25

DRAWINGS SHOW ACTUAL DIMENSIONS



COLOR AVAILABILITY CHART

PRODUCTS: FLASHINGS

SOLID COLORS	J-CHANNEL	TRIM COIL
WHITE		QE 503
BISCUIT		QE 351
SAND		QE 177
OYSTER SHELL		QE 509
LIGHT GRAY		QE 361
CLAY		QE 354
PEWTER GREEN		QE 356
FRENCH GRAY		QE 407
PLATINUM		QE 357
TERRA BRONZE		QE 511
SEAL		QE 358
OLIVE		QE 767
PELICAN		QE 355
SMOKY ASH		QE 363
MOUNTAIN LAKE		QE 364
CINNABAR		QE 353
COFFEE		QE 507
CARIBOU		QE 508
MIDNIGHT		QE 657
GRAPHITE		QE 414
CLOVE		QE 656
BEIGE		QE 350
ONYX		QE 518
BEDROCK		QE 363
ELKHORN		QE 507
CANYON		QE 655
MAHOGANY		
GRIZZLY		QE 655
CHESTNUT		



NOT AVAILABLE



COLOR MATCH



COORDINATING COLOR

UNIVERSAL RIGIDMOUNT™

Function: Designed for mounting exterior lighting; intake/exhaust vents

Part Description: RigidMount Universal

ACTUAL DIMENSIONS

Exposure: N/A
Overlap: N/A
Pieces per square: N/A
Length: N/A
Width: 8.25 in.
Height: 10.31 in.
Min. Thickness: 1.125 in.

CONSTRUCTION

Substrate: Strand
LP® SmartSide®
Finish: Diamond Kote®
Other: ABS Back Plate

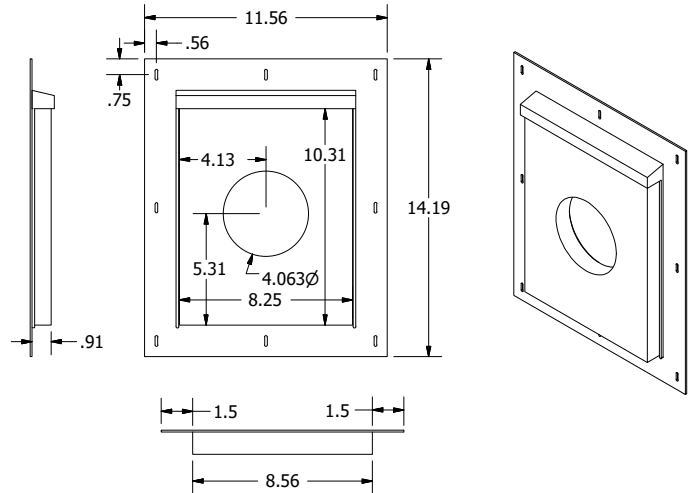
WEIGHT

Per Piece: 2.33 lbs.
Per Carton: 23.33 lbs.
Per Pallet: N/A

PACKAGING

Per Carton: 10
Per Pallet: N/A

DRAWINGS SHOW ACTUAL DIMENSIONS



BLANK UNIVERSAL RIGIDMOUNT™

Function: Multi-purpose mounting surface; field modify as needs require

Part Description: RigidMount Universal Blank

ACTUAL DIMENSIONS

Exposure: N/A
Overlap: N/A
Pieces per square: N/A
Length: N/A
Width: 8.25 in.
Height: 10.313 in.
Min. Thickness: 1.125 in.

CONSTRUCTION

Substrate: Strand
LP® SmartSide®
Finish: Diamond Kote®
Other: ABS Back Plate

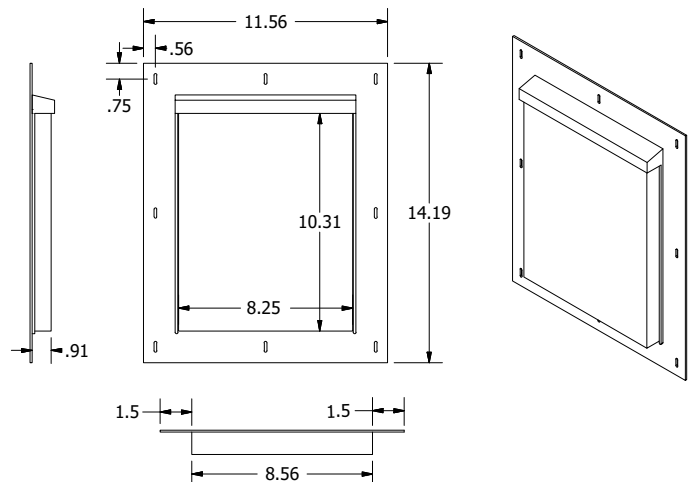
WEIGHT

Per Piece: 2.5 lbs.
Per Carton: 25 lbs.
Per Pallet: N/A

PACKAGING

Per Carton: 10
Per Pallet: N/A

DRAWINGS SHOW ACTUAL DIMENSIONS



COLOR AVAILABILITY CHART
PRODUCTS: RIGIDMOUNT™ BLOCKS

SOLID COLORS	UNIVERSAL	BLANK UNIVERSAL
WHITE		
BISCUIT		
SAND		
OYSTER SHELL		
LIGHT GRAY		
CLAY		
PEWTER GREEN		
FRENCH GRAY		
PLATINUM		
TERRA BRONZE		
SEAL		
OLIVE		
PELICAN		
SMOKY ASH		
MOUNTAIN LAKE		
CINNABAR		
COFFEE		
CARIBOU		
MIDNIGHT		
GRAPHITE		
CLOVE		
BEIGE		
ONYX		
BEDROCK		
ELKHORN		
CANYON		
MAHOGANY		
GRIZZLY		
CHESTNUT		

 NOT AVAILABLE	 PAINTED TEXTURE & SMOOTH	 PAINTED TEXTURE
---	--	---

UL ELECTRICAL RIGIDMOUNT™

Function: Built in drip cap; hidden fastener nailing flange; woodgrain parallel to grain on adjacent siding

Part Description: RigidMount UL Electrical

ACTUAL DIMENSIONS

Exposure: N/A
 Overlap: N/A
 Pieces per square: N/A
 Length: N/A
 Width: 5.94 in.
 Height: 6.94 in.
 Min. Thickness: 1.45 in.

CONSTRUCTION

Substrate: Strand
 LP® SmartSide®
 Finish: Diamond Kote®
 Other: ABS Back Plate

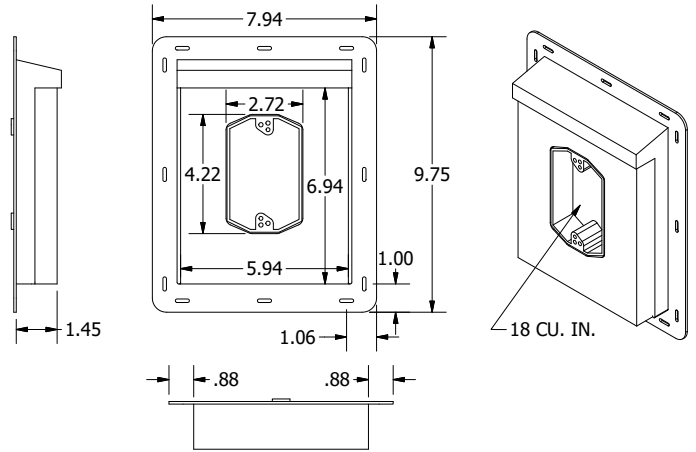
WEIGHT

Per Piece: 1.4 lbs.
 Per Carton: 14 lbs.
 Per Pallet: N/A

PACKAGING

Per Carton: 10
 Per Pallet: N/A

DRAWINGS SHOW ACTUAL DIMENSIONS



RECEPTACLE RIGIDMOUNT™

Function: For mounting outlets in remodel situations

Part Description: RigidMount Receptacle

ACTUAL DIMENSIONS

Exposure: N/A
 Overlap: N/A
 Pieces per square: N/A
 Length: N/A
 Width: 5.88 in.
 Height: 7.69 in.
 Min. Thickness: 1.125 in.

CONSTRUCTION

Substrate: Strand
 LP® SmartSide®
 Finish: Diamond Kote®
 Other: ABS Back Plate

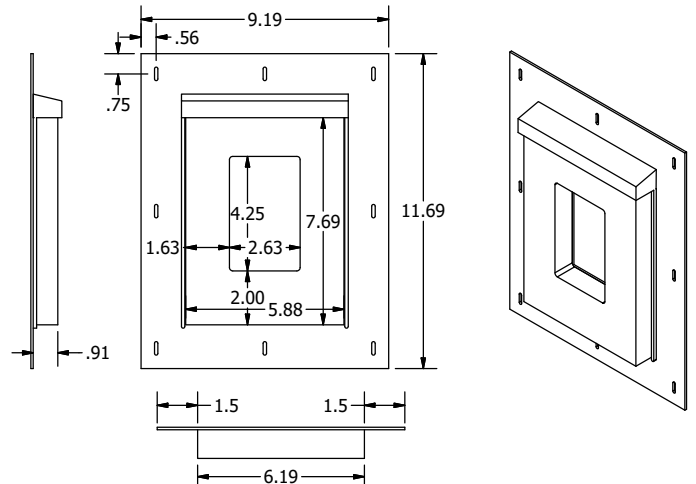
WEIGHT

Per Piece: 1.45 lbs.
 Per Carton: 14.5 lbs.
 Per Pallet: N/A

PACKAGING

Per Carton: 10
 Per Pallet: N/A

DRAWINGS SHOW ACTUAL DIMENSIONS



COLOR AVAILABILITY CHART
PRODUCTS: RIGIDMOUNT™ BLOCKS

SOLID COLORS	ELECTRICAL	RECEPTACLE
WHITE		
BISCUIT		
SAND		
OYSTER SHELL		
LIGHT GRAY		
CLAY		
PEWTER GREEN		
FRENCH GRAY		
PLATINUM		
TERRA BRONZE		
SEAL		
OLIVE		
PELICAN		
SMOKY ASH		
MOUNTAIN LAKE		
CINNABAR		
COFFEE		
CARIBOU		
MIDNIGHT		
GRAPHITE		
CLOVE		
BEIGE		
ONYX		
BEDROCK		
ELKHORN		
CANYON		
MAHOGANY		
GRIZZLY		
CHESTNUT		

 NOT AVAILABLE	 PAINTED TEXTURE & SMOOTH	 PAINTED TEXTURE
---	--	---

OVERSIZED RIGIDMOUNT™

Function: Designed for mounting large exterior lighting; intake/exhaust vents

Part Description: RigidMount Oversize

ACTUAL DIMENSIONS

Exposure: N/A
 Overlap: N/A
 Pieces per square: N/A
 Length: N/A
 Width: 8.25 in.
 Height: 14.3 in.
 Min. Thickness: 1.125 in.

CONSTRUCTION

Substrate: Strand
 LP® SmartSide®
 Finish: Diamond Kote®
 Other: ABS Back Plate

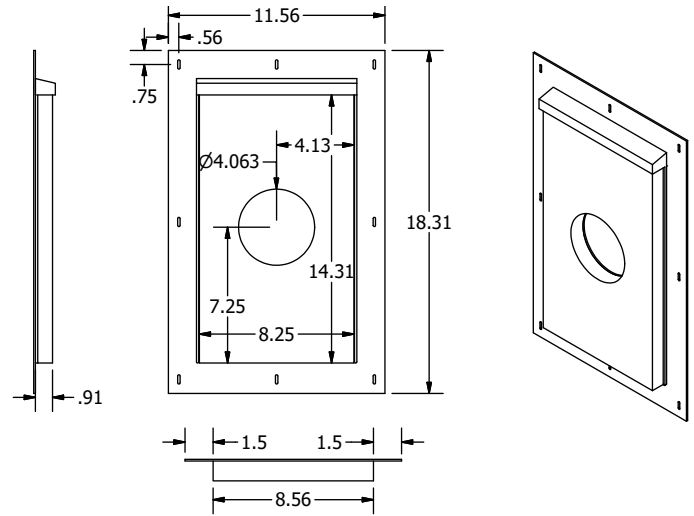
WEIGHT

Per Piece: 3.33 lbs.
 Per Carton: 33.3 lbs.
 Per Pallet: N/A

PACKAGING

Per Carton: 10
 Per Pallet: N/A

DRAWINGS SHOW ACTUAL DIMENSIONS



SPLIT RIGIDMOUNT™

Function: Split design for installation around water, gas, data/network boxes, and electrical conduits

Part Description: RigidMount Split Block

ACTUAL DIMENSIONS

Exposure: N/A
 Overlap: N/A
 Pieces per square: N/A
 Length: N/A
 Width: 5.88 in.
 Height: 7.69 in.
 Min. Thickness: 1.125 in.

CONSTRUCTION

Substrate: Strand
 LP® SmartSide®
 Finish: Diamond Kote®
 Other: ABS Back Plate

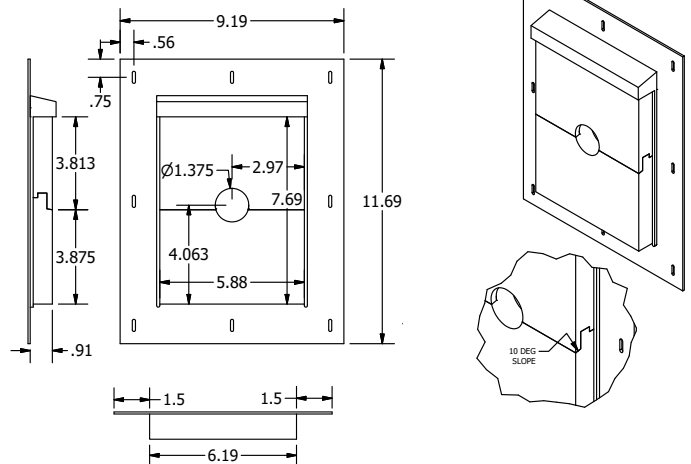
WEIGHT

Per Piece: 1.53 lbs.
 Per Carton: 15.3 lbs.
 Per Pallet: N/A

PACKAGING

Per Carton: 10
 Per Pallet: N/A

DRAWINGS SHOW ACTUAL DIMENSIONS



COLOR AVAILABILITY CHART
PRODUCTS: RIGIDMOUNT™ BLOCKS

SOLID COLORS	OVERSIZED	SPLIT
WHITE		
BISCUIT		
SAND		
OYSTER SHELL		
LIGHT GRAY		
CLAY		
PEWTER GREEN		
FRENCH GRAY		
PLATINUM		
TERRA BRONZE		
SEAL		
OLIVE		
PELICAN		
SMOKY ASH		
MOUNTAIN LAKE		
CINNABAR		
COFFEE		
CARIBOU		
MIDNIGHT		
GRAPHITE		
CLOVE		
BEIGE		
ONYX		
BEDROCK		
ELKHORN		
CANYON		
MAHOGANY		
GRIZZLY		
CHESTNUT		

 NOT AVAILABLE	 PAINTED TEXTURE & SMOOTH	 PAINTED TEXTURE
---	--	---

PERSONALIZED RIGIDMOUNT™

Function: Displays black or white personalized address numbers/letters. Limit of 5 characters.

Part Description: RigidMount Personalized

ACTUAL DIMENSIONS

Exposure: N/A
Overlap: N/A
Pieces per square: N/A
Length: N/A
Width: 15.88 in.
Height: 8.8 in.
Min. Thickness: 1.125 in.

CONSTRUCTION

Substrate: Strand
LP® SmartSide®
Finish: Diamond Kote®
Other: ABS Back Plate

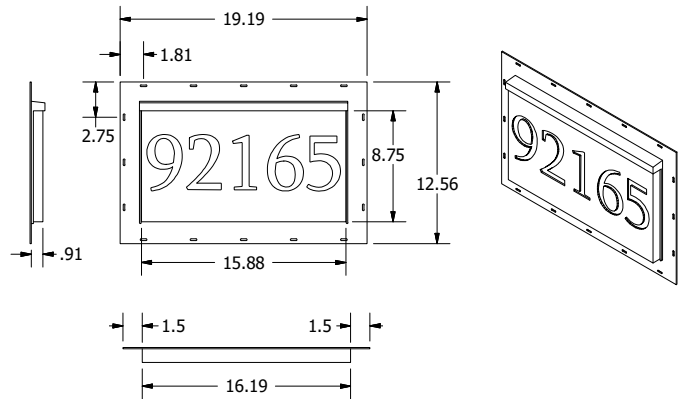
WEIGHT

Per Piece: 3.33 lbs.
Per Carton: 33.3 lbs.
Per Pallet: N/A

PACKAGING

Per Carton: 10
Per Pallet: N/A

DRAWINGS SHOW ACTUAL DIMENSIONS



BLANK HORIZONTAL RIGIDMOUNT™

Function: Designed to allowing for easy pass through for HVAC piping or any mix of wall utilities.

Part Description: RigidMount Blank Horizontal

ACTUAL DIMENSIONS

Exposure: N/A
Overlap: N/A
Pieces per square: N/A
Length: N/A
Width: 15.88 in.
Height: 8.8 in.
Min. Thickness: 1.125 in.

CONSTRUCTION

Substrate: Strand
LP® SmartSide®
Finish: Diamond Kote®
Other: ABS Back Plate

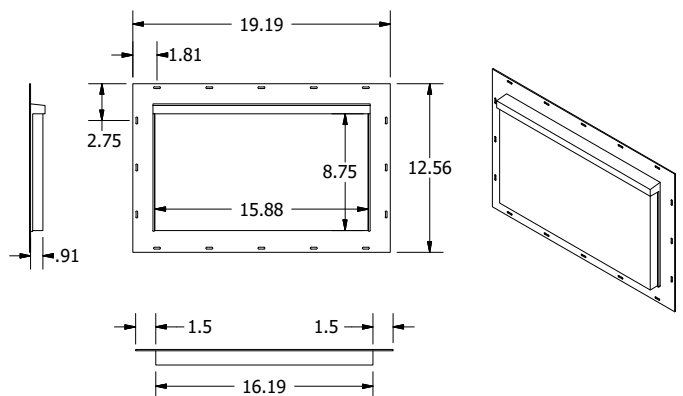
WEIGHT

Per Piece: 3.33 lbs.
Per Carton: 33.3 lbs.
Per Pallet: N/A

PACKAGING

Per Carton: 10
Per Pallet: N/A

DRAWINGS SHOW ACTUAL DIMENSIONS



COLOR AVAILABILITY CHART
PRODUCTS: RIGIDMOUNT™ BLOCKS

SOLID COLORS	PERSONALIZED	BLANK HORIZONTAL
WHITE		
BISCUIT		
SAND		
OYSTER SHELL		
LIGHT GRAY		
CLAY		
PEWTER GREEN		
FRENCH GRAY		
PLATINUM		
TERRA BRONZE		
SEAL		
OLIVE		
PELICAN		
SMOKY ASH		
MOUNTAIN LAKE		
CINNABAR		
COFFEE		
CARIBOU		
MIDNIGHT		
GRAPHITE		
CLOVE		
BEIGE		
ONYX		
BEDROCK		
ELKHORN		
CANYON		
MAHOGANY		
GRIZZLY		
CHESTNUT		

 NOT AVAILABLE	 PAINTED TEXTURE & SMOOTH	 PAINTED TEXTURE
---	--	---

5 IN. H-MOLDING

DRAWINGS SHOW ACTUAL DIMENSIONS

Function: H-Moldings provide cover and concealment of the required expansion gap

Part Description: 5 in. H-Molding WG 6X3/8 LP

ACTUAL DIMENSIONS

Exposure: 4.94 in.
 Overlap: N/A
 Pieces per square: 15.6
 (Long wall - no openings)
 Length: 4.94 in.
 Width: 0.48 in.
 Height: N/A
 Min. Thickness: 0.019 in.

CONSTRUCTION

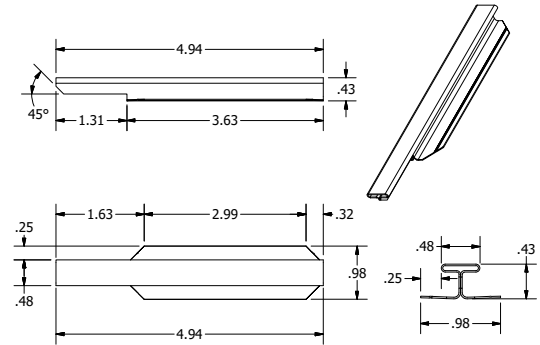
Substrate: Aluminium
 Finish: Diamond Kote®
 Other: N/A

WEIGHT

Per Piece: 0.022 lbs.
 Per Bag: 0.55 lbs.
 Per Pallet: N/A

PACKAGING

Per Bag: 25
 Per Box: 100



7 IN. H-MOLDING

DRAWINGS SHOW ACTUAL DIMENSIONS

Function: H-Moldings provide cover and concealment of the required expansion gap

Part Description: 7 in. H-Molding WG 8X3/8 LP

ACTUAL DIMENSIONS

Exposure: 6.94 in.
 Overlap: N/A
 Pieces per square: 10.8
 (Long wall - no openings)
 Length: 6.94 in.
 Width: 0.48 in.
 Height: N/A
 Min. Thickness: 0.019 in.

CONSTRUCTION

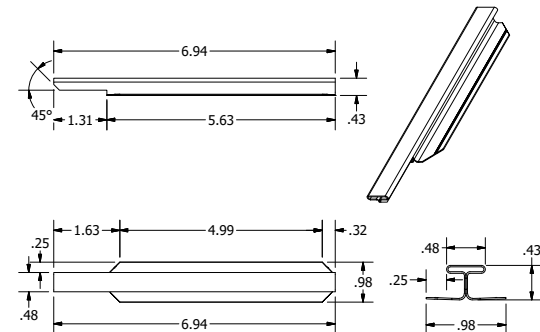
Substrate: Aluminium
 Finish: Diamond Kote®
 Other: N/A

WEIGHT

Per Piece: 0.03 lbs.
 Per Bag: 0.75 lbs.
 Per Pallet: N/A

PACKAGING

Per Bag: 25
 Per Box: 100



11 IN. H-MOLDING

DRAWINGS SHOW ACTUAL DIMENSIONS

Function: H-Moldings provide cover and concealment of the required expansion gap

Part Description: 11 in. H-Molding WG 12X3/8 LP

ACTUAL DIMENSIONS

Exposure: 10.94 in.
 Overlap: N/A
 Pieces per square: 7.2
 (Long wall - no openings)
 Length: 10.94 in.
 Width: 0.48 in.
 Height: N/A
 Min. Thickness: 0.019 in.

CONSTRUCTION

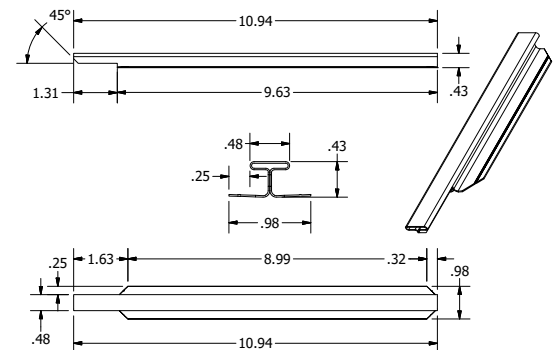
Substrate: Aluminium
 Finish: Diamond Kote®
 Other: N/A

WEIGHT

Per Piece: 0.04 lbs.
 Per Bag: 1 lbs.
 Per Pallet: N/A

PACKAGING

Per Bag: 25
 Per Box: 100



COLOR AVAILABILITY CHART

PRODUCTS: H-MOLDING

SOLID COLORS	5 INCH	7 INCH	11 INCH
WHITE			
BISCUIT			
SAND			
OYSTER SHELL			
LIGHT GRAY			
CLAY			
PEWTER GREEN			
FRENCH GRAY			
PLATINUM			
TERRA BRONZE			
SEAL			
OLIVE			
PELICAN			
SMOKY ASH			
MOUNTAIN LAKE			
CINNABAR			
COFFEE			
CARIBOU			
MIDNIGHT			
GRAPHITE			
CLOVE			
BEIGE			
ONYX			
BEDROCK			
ELKHORN			
CANYON			
MAHOGANY			
GRIZZLY			
CHESTNUT			

 NOT AVAILABLE	 PAINTED TEXTURE & SMOOTH	 PAINTED TEXTURE
---	--	---

METAL STARTER STRIP

Function: Used to start first course of Lap Siding, RigidStack and Straight Edge RigidShakes.

Part Description: Starter Steel 2-1/2 10/0 Galv 25/Ct

ACTUAL DIMENSIONS

Exposure: N/A
 Overlap: N/A
 Pieces per square: N/A
 Length: 120 in.
 Width: N/A
 Height: 2.5 in.
 Min. Thickness: 0.013 in.

CONSTRUCTION

Substrate: Steel
 Finish: Galvanized
 Other: N/A

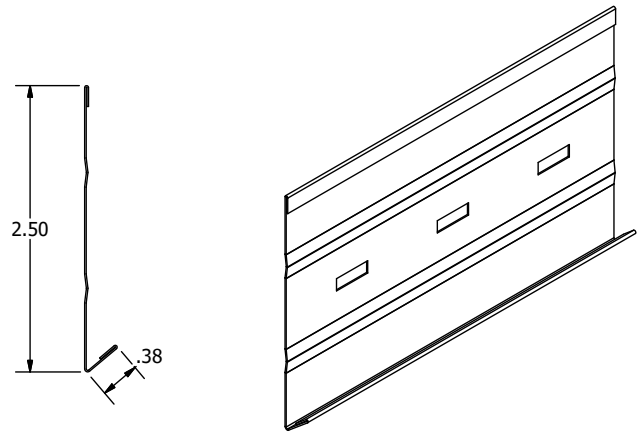
WEIGHT

Per Piece: 1.4 lbs.
 Per Carton: 35 lbs.
 Per Pallet: 2520 lbs.

PACKAGING

Per Carton: 25
 Per Pallet: 1800

DRAWINGS SHOW ACTUAL DIMENSIONS



8 IN. STARTER BOARD

Function: Transition piece between the ground and the first course of siding for installation requirements

Part Description: Starter 1X8-16 Certatrim

ACTUAL DIMENSIONS

Exposure: 5.81 in.
 Overlap: 1.125 in.
 Pieces per square: N/A
 Length: 192 in.
 Width: 7.25 in.
 Height: N/A
 Min. Thickness: 0.75 in.

CONSTRUCTION

Substrate: PVC
 Finish: Diamond Kote®
 Other: N/A

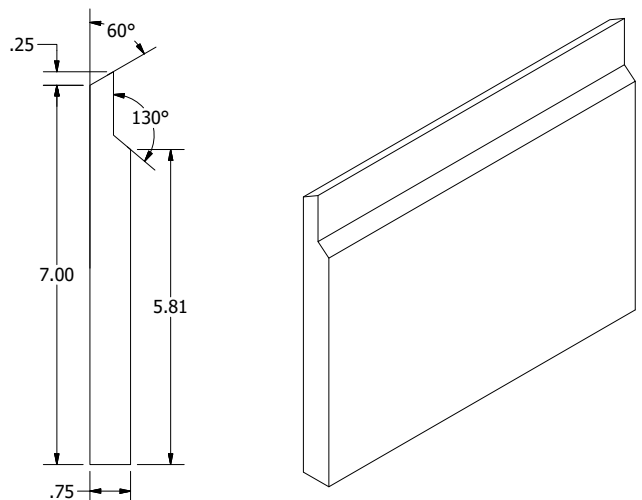
WEIGHT

Per Piece: 23.61 lbs.
 Per Bundle: 47.22 lbs.
 Per Pallet: 1699.92 lbs.

PACKAGING

Per Bundle: 2
 Per Pallet: 72

DRAWINGS SHOW ACTUAL DIMENSIONS



COLOR AVAILABILITY CHART
PRODUCTS: STARTER OPTIONS

SOLID COLORS	METAL STARTER	STARTER BOARD
WHITE		
BISCUIT		
SAND		
OYSTER SHELL		
LIGHT GRAY		
CLAY		
PEWTER GREEN		
FRENCH GRAY		
PLATINUM		
TERRA BRONZE		
SEAL		
OLIVE		
PELICAN		
SMOKY ASH		
MOUNTAIN LAKE		
CINNABAR		
COFFEE		
CARIBOU		
MIDNIGHT		
GRAPHITE		
CLOVE		
BEIGE		
ONYX		
BEDROCK		
ELKHORN		
CANYON		
MAHOGANY		
GRIZZLY		
CHESTNUT		

 NOT AVAILABLE	 PAINTED TEXTURE & SMOOTH	 PAINTED TEXTURE
---	--	---

1-3/4 IN. RING SHANK HAND DRIVE

DRAWINGS SHOW ACTUAL DIMENSIONS

Function: Recommended for hand fastening of Nail Fin Corners and Nail Fin Trim

Part Description: 1-3/4 in. DK Nail RS 5# Box R-104A

ACTUAL DIMENSIONS

Drive Type: Hand
Shank Design: Ring
Tensile Strength: N/A
Shear Strength: N/A
Length: 1.72 in.
Head: 0.375 in.
Gauge: 0.120 in.

CONSTRUCTION

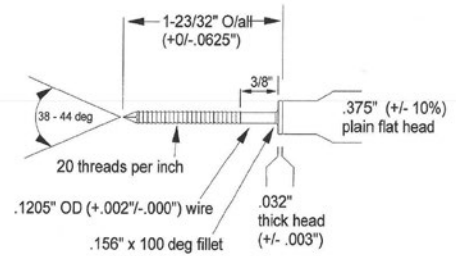
Substrate: Steel
Finish: Stormguard®
Double Hot-Dip Galvanized ASTM A153 Compliant

WEIGHT

Per Pound: 156 lbs.
Per Box: 5# lbs.
Per Carton: 30 lbs.
Per Pallet: N/A

PACKAGING

Per Box: 780
Per Carton: 6 Bx./ Ct.



2-1/2 IN. PAINTED NAILS

DRAWINGS SHOW ACTUAL DIMENSIONS

Function: Recommended for face nailing pre-finished LP® SmartSide®

Part Description: 2-1/2 in. 5# 8D DK Nails

ACTUAL DIMENSIONS

Drive Type: Hand
Shank Design: Plain
Tensile Strength: N/A
Shear Strength: N/A
Length: 2.47 in. - 8D
Head: 0.281 in.
Gauge: 0.113 in.

CONSTRUCTION

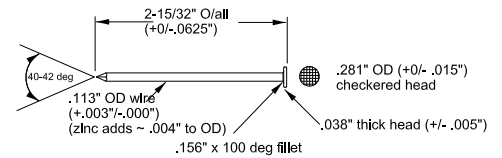
Substrate: Steel
Finish: Dip painted to match Siding Colors and Stormguard®
Double Hot-Dip Galvanized Astm A153 Compliant

WEIGHT

Per Pound: 123 lbs.
Per Box: 5# lbs.
Per Carton: 30 lbs.
Per Pallet: N/A

PACKAGING

Per Box: 615
Per Carton: 3690



CORTEX SCREW & PLUGS FOR PVC

DRAWINGS SHOW ACTUAL DIMENSIONS

Function: For the installation of Starter Board

Part Description: Cortex White WG 50/250/750 Lf/Bx Screw & Plug

ACTUAL DIMENSIONS

Drive Type:
#20 Torx® ttap®
Shank Design:
Dual Lead 12 Threads/
Inch
Tensile Strength: 1,694
Lbf
Shear Strength: 1,861
Lbf
Length: 2 in.
Shank Size: #9

CONSTRUCTION

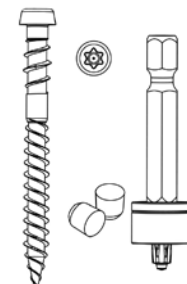
Substrate:
Carbon Steel
Other: PVC Plug

WEIGHT

Per Pound: N/A
Per Box: 4.033 lbs.
Per Carton: 24.19 lbs.
Per Pallet: N/A

PACKAGING

Per Box: 375
Screws/400 Plug
Per Carton: 6 Bx./ Ct.



COLOR AVAILABILITY CHART
PRODUCTS: FASTENERS

	RING SHANK	PAINTED NAILS	CORTEX SCREWS
SOLID COLORS	1-3/4	2-1/2	N/A
WHITE			
BISCUIT			
SAND			
OYSTER SHELL			
LIGHT GRAY			
CLAY			
PEWTER GREEN			
FRENCH GRAY			
PLATINUM			
TERRA BRONZE			
SEAL			
OLIVE			
PELICAN			
SMOKY ASH			
MOUNTAIN LAKE			
CINNABAR			
COFFEE			
CARIBOU			
MIDNIGHT			
GRAPHITE			
CLOVE			
BEIGE			
ONYX			
BEDROCK			
ELKHORN			
CANYON			
MAHOGANY			
GRIZZLY			
CHESTNUT			

 NOT AVAILABLE	 COLOR MATCH	 COORDINATING COLOR
---	---	--

An architectural wireframe drawing of a two-story house with a gabled roof, multiple windows, and a deck. A central white text box with a blue border is overlaid on the drawing. The background is a solid blue color at the bottom.

DIAMOND KOTE®

Building Products

Diamond Kote® Building Products offers a complete siding system designed to create an efficient installation for professionals and a flawless finished product for homeowners. Solid Color Collection is backed by an industry-leading 30-Year No Fade Warranty.

diamondkotesiding.com

DESIGNED WITH THE INSTALLER IN MIND.

Cal. Prop 65 Warning: This product can expose you to chemicals known to the State of California to cause cancer, birth defects or other reproductive harm. For more information go to www.P65Warnings.ca.gov

Specifications subject to change without notice.